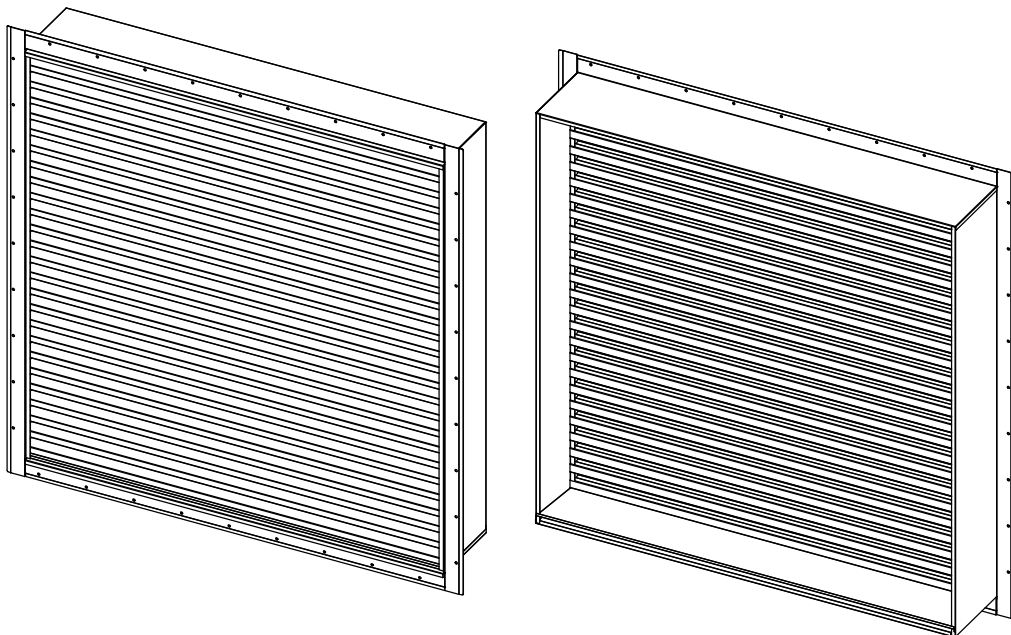




TUISKU flush-mounted snow covers Installation manual



The mounting instructions are the same for the following product series:

TUISKU-VU and TUISKU-PU

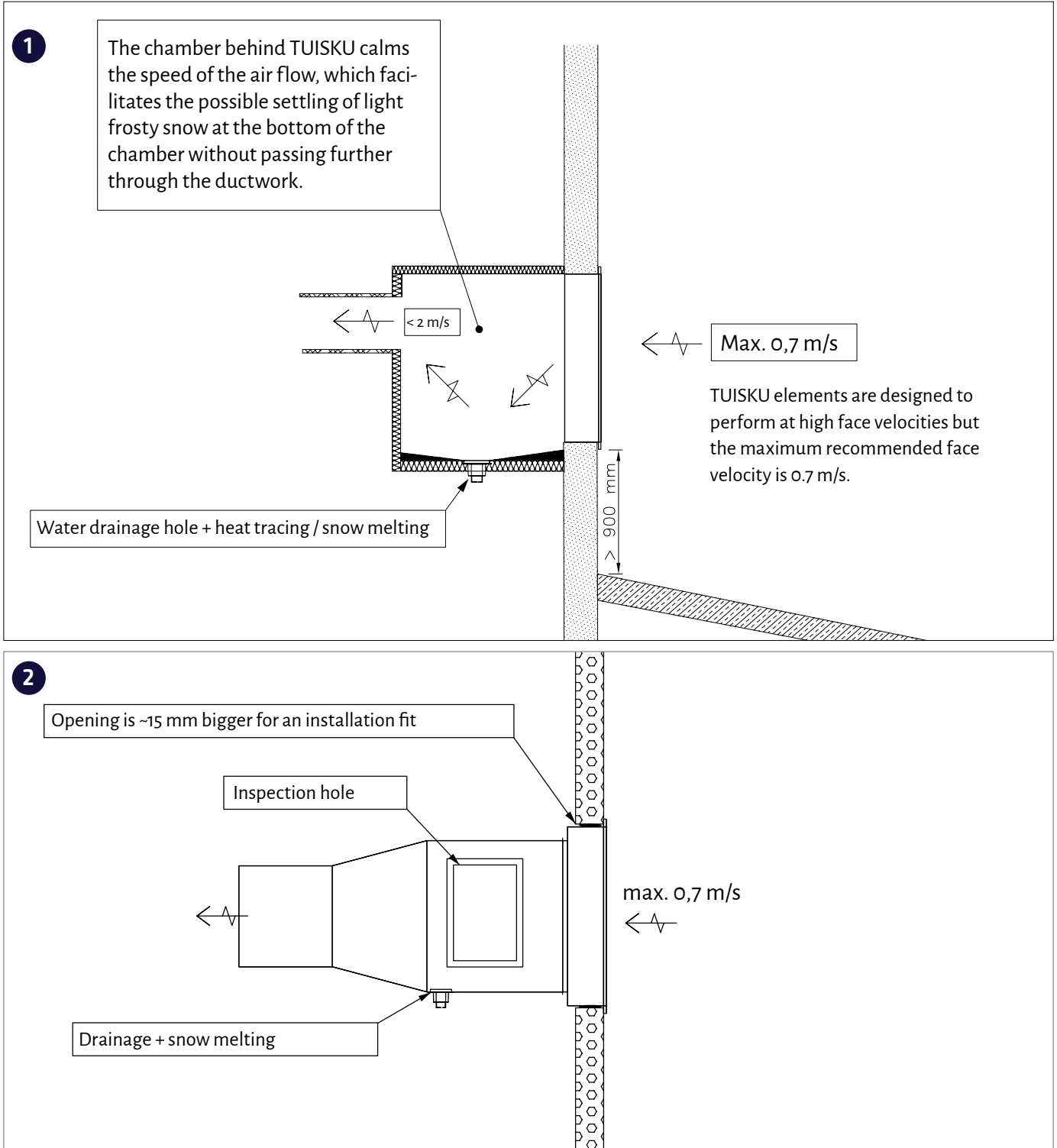
TUISKU-AF

TUISKU-O

TUISKU-IS

The connection instructions of TUISKU-AF is in separate connection manual

TUISKU flush mounting

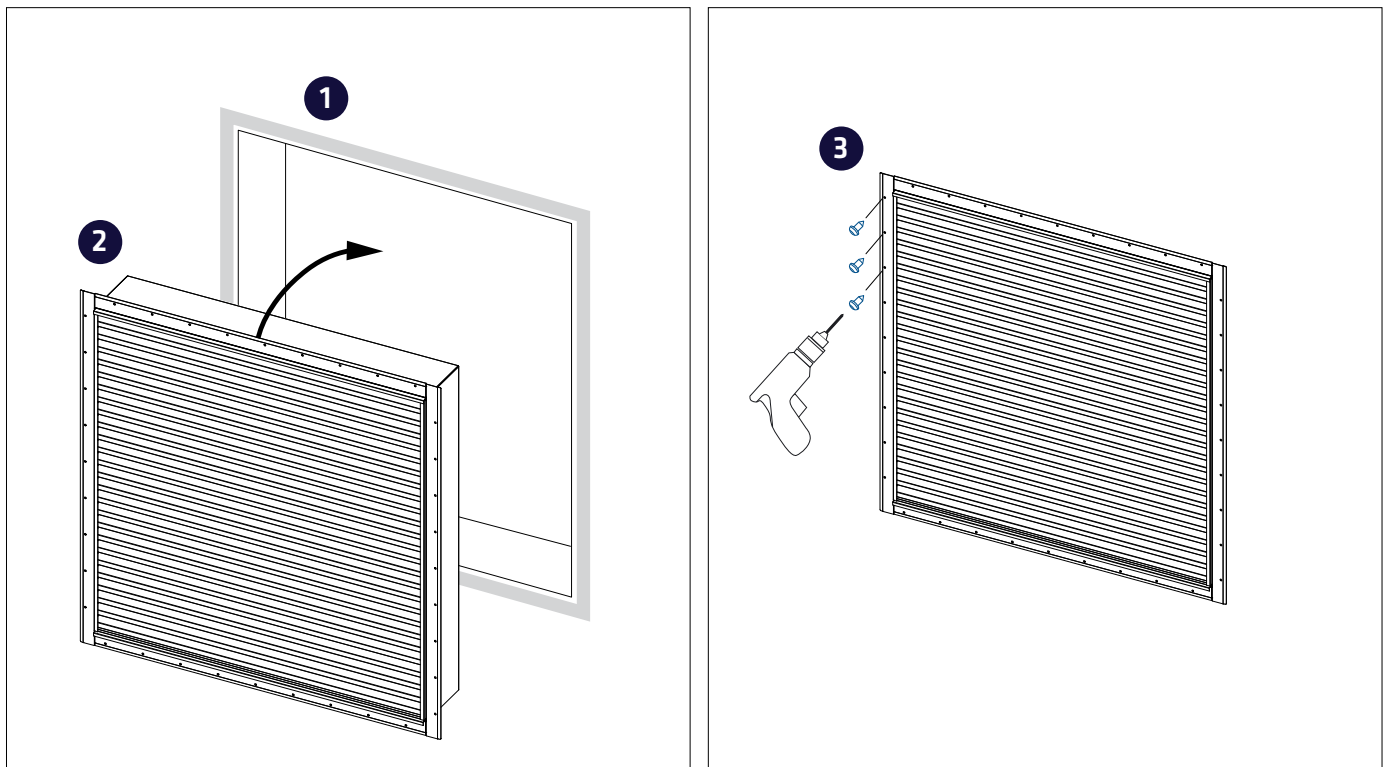


It is advisable to build a chamber with a drainage similar to Figure 1 or 2 behind the TUISKU snow covers to prevent moisture from getting into the ducts in exceptionally demanding conditions.

Figure 1 is common in multielement TUISKU installations and Figure 2 when there is a one-piece TUISKU installation and a back seam.

TUISKU flush mounting

1-piece



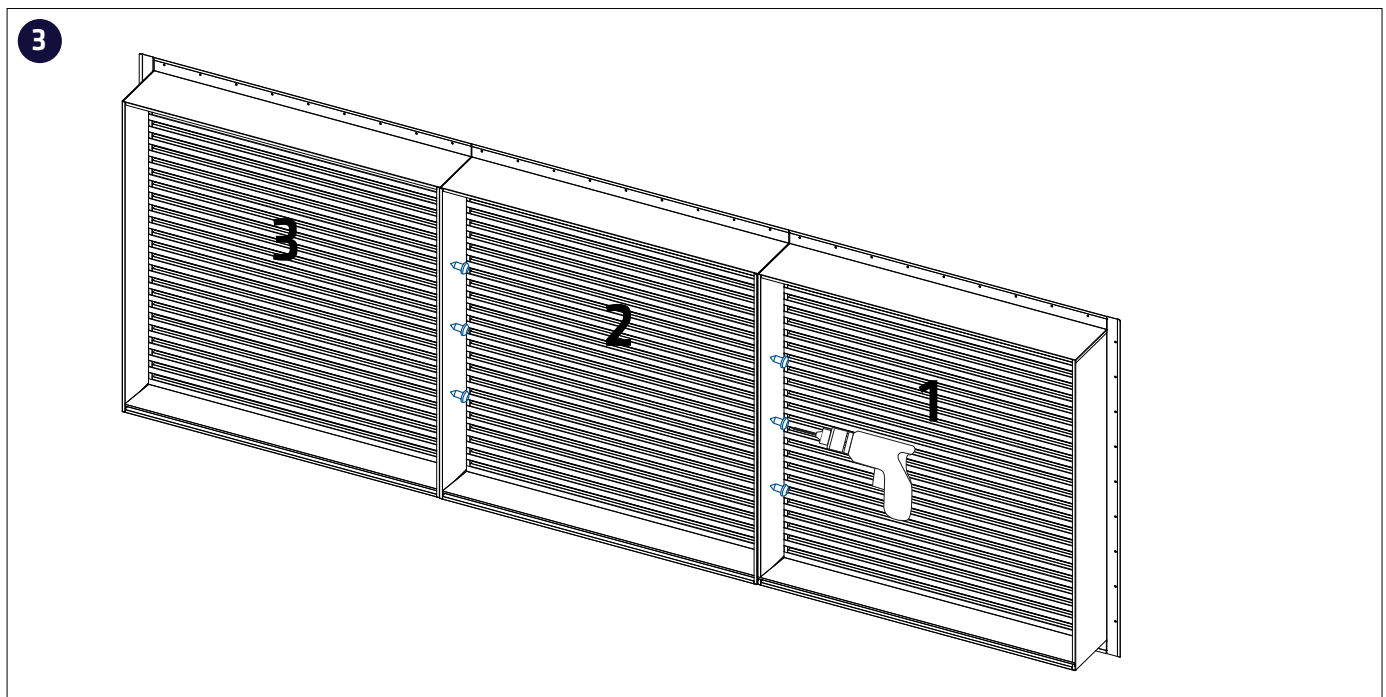
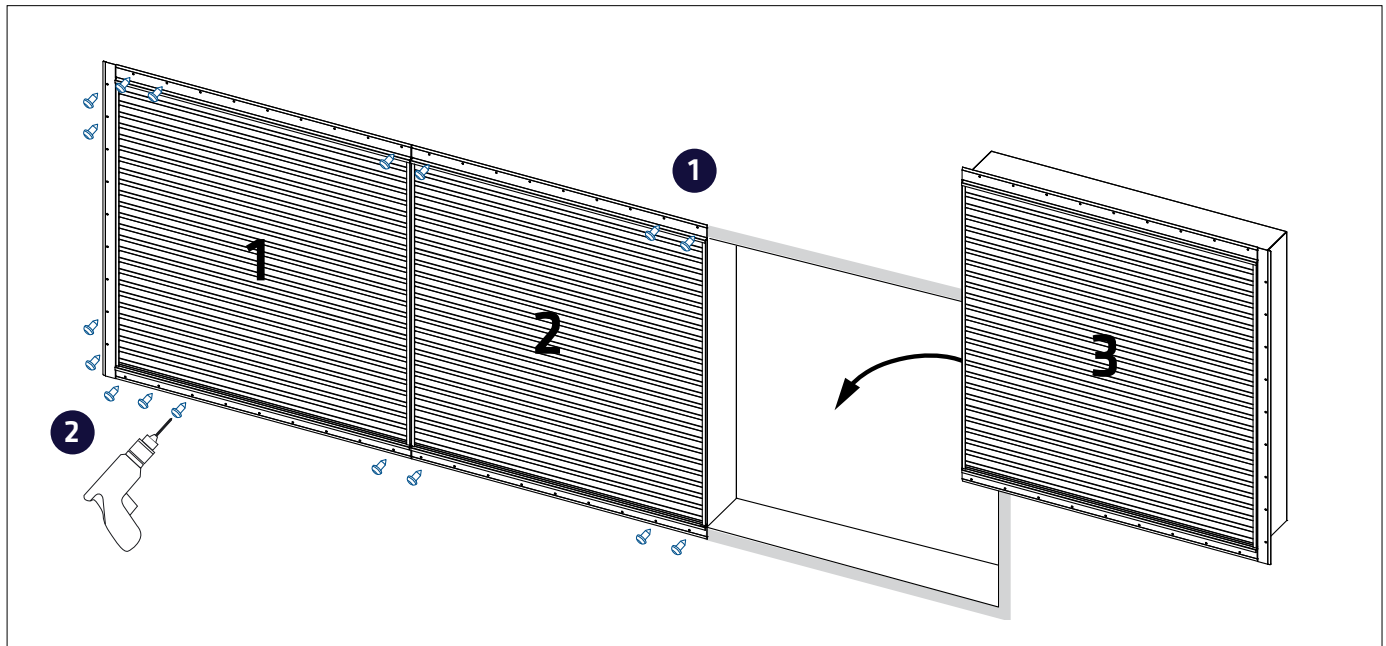
- 1 Seal the edge behind the TUISKU frame so that TUISKU can be installed tightly.
- 2 Lift TUISKU in place from its brackets.
- 3 Mount TUISKU to a load-bearing wall with screws.

We recommend the following methods or equivalent to mount TUISKU to a wall:

- Wood: Farmer screw Ruspert 4.8x25-65 mm, RR, sharp point with washer
- Concrete: Concrete screw Fisher FBS 6x40/5 mm US or equivalent
- Sandwich: Sandwich panel screw with washer, drill point 4-14 mm SPA 5.5 x L (L=panel thickness)
- Steel: EJOT JT2-6-6.3x25mm zinc-plated drill point

TUISKU flush mounting

3-piece elements in parallel



- 1 Seal the edge behind the TUISKU frame so that TUISKU can be installed tightly.
- 2 Lift the TUISKU elements in place from its brackets and screw it to the load-bearing wall.

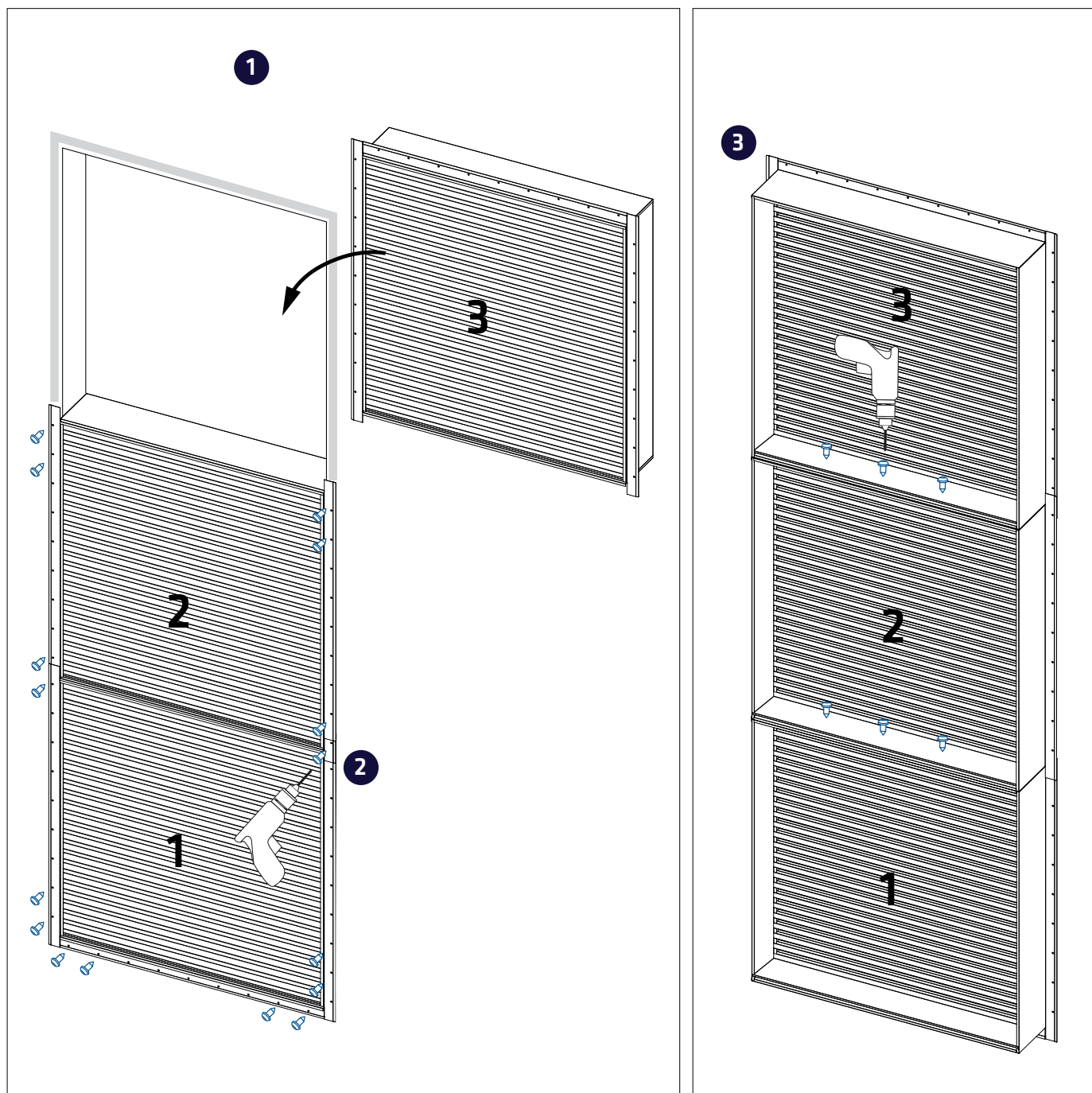
We recommend the following methods or equivalent to mount TUISKU to a wall:

- Wood: Farmer screw Ruspert 4.8x25-65 mm, RR, sharp point with washer
- Concrete: Concrete screw Fisher FBS 6x40/5 mm US or equivalent
- Sandwich: Sandwich panel screw with washer, drill point 4-14 mm SPA 5.5 x L (L=panel thickness)
- Steel: EJOT JT2-6-6.3x25mm zinc-plated drill point

- 3 Mount the TUISKU elements together with zinc-plated drill point screws EJOT JT2-6-6.3x25mm.

TUISKU flush mounting

3-piece elements on top of one another



- 1 Seal the edge behind the TUISKU frame so that TUISKU can be installed tightly.
- 2 Lift the TUISKU elements in place from its brackets and screw it to the load-bearing wall.

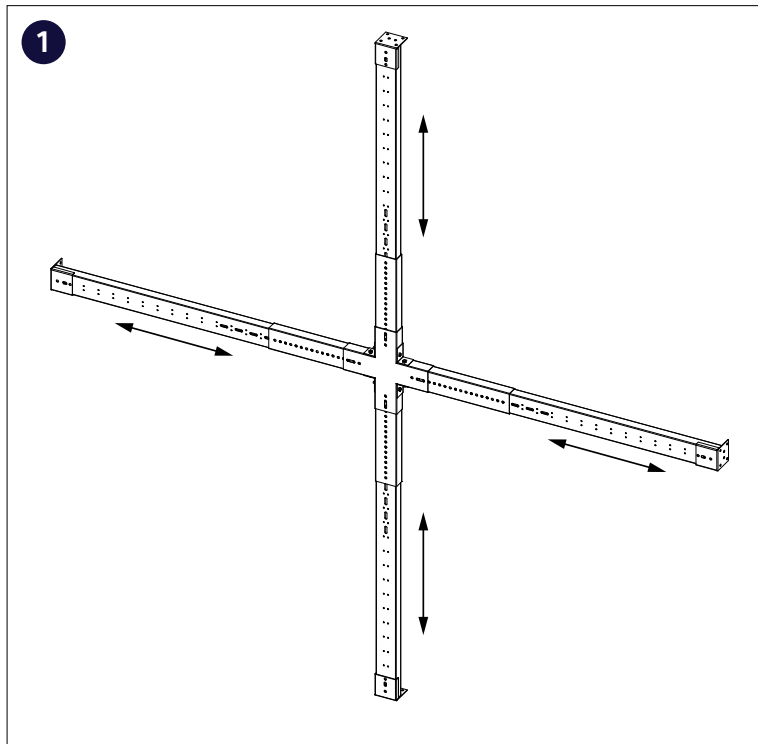
We recommend the following methods or equivalent to mount TUISKU to a wall:

- Wood: Farmer screw Ruspert 4.8x25-65 mm, RR, sharp point with washer
- Concrete: Concrete screw Fisher FBS 6x40/5 mm US or equivalent
- Sandwich: Sandwich panel screw with washer, drill point 4-14 mm SPA 5.5 x L (L=panel thickness)
- Steel: EJOT JT2-6-6.3x25mm zinc-plated drill point

- 3 Mount the TUISKU elements together with zinc-plated drill point screws EJOT JT2-6-6.3x25mm.

TUISKU flush mounting

TUISKU-AK installation frame (accessory)

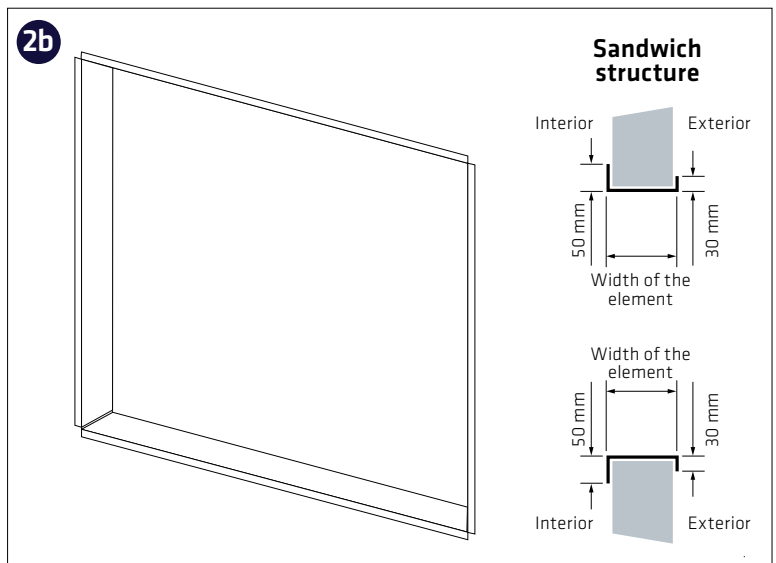
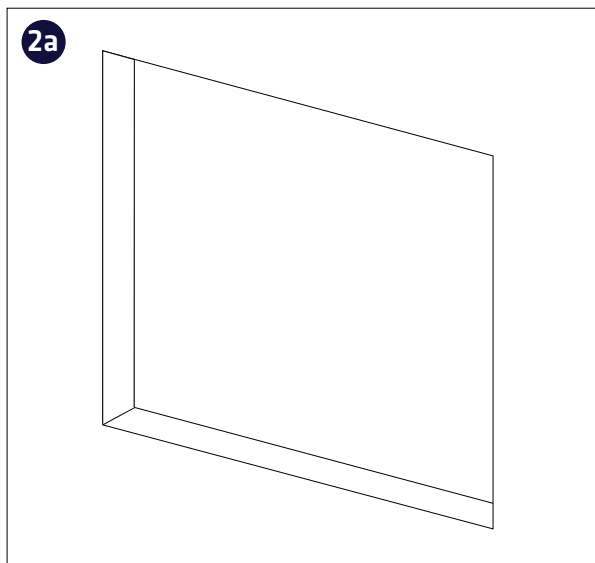


The TUISKU-AK installation frame is designed to make installing the multielement TUISKU pieces easier. The dimensions of the installation frame are adjustable to fit the opening.

When installing the TUISKU-AK installation frame to an opening with a Sandwich structure, the edges of the opening must be supported with suitable profiles.

NOTE! The TUISKU-AK installation frame must not be a part of a load-bearing structure! The load-bearing structure must be designed and approved by a structural engineer.

When installing TUISKU elements without an installation frame, a sufficient support must be built in the opening for TUISKU with the structural engineer's instructions.



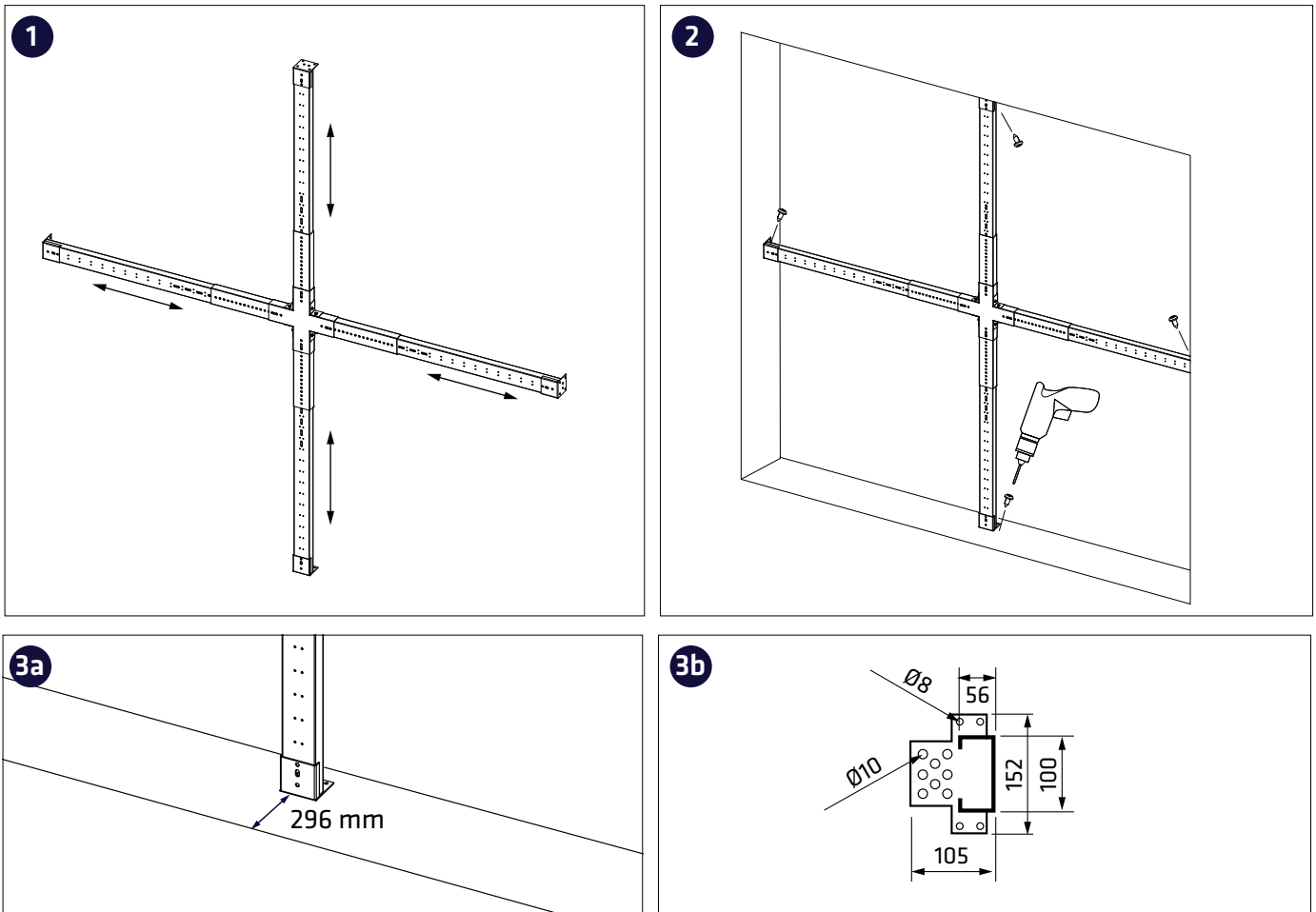
- 1 By opening the mounting bolts of the TUISKU-AK installation frame the size can be adjusted to fit the opening. After the adjustment, the bolts must be mounted with care.
- 2 In Sandwich-structured walls the edges of the opening must be supported with a metal profile made from hot galvanized structural steel S320GD+Z350 3.0 mm or equivalent..

We recommend the following methods or equivalent to mount the TUISKU-AK installation frame to the opening:

- Wood: TX-20 4.5X40 zinc-plated countersunk head full thread chipboard screw
- Concrete: Concrete screw Fisher FBS 6x40/5 mm US or equivalent
- Sandwich: Sandwich panel screw with washer, drill point 4-14 mm SPA 5.5 x L (L=panel thickness)
- Steel: EJOT JT2-6-6.3x25mm zinc-plated drill point

TUISKU flush mounting

Multielement TUISKU + TUISKU-AK installation frame



- 1 Measure the width and height of the opening and adjust the bearing frame to the right size.
- 2 Mount the TUISKU-AK installation frame securely to a load-bearing structure.
When installing TUISKU elements without an installation frame, a sufficient support must be built in the opening for TUISKU with the structural engineer's instructions.
- 3a The distance between TUISKU-AK mounting frame and the edge of the opening is 296 mm when the nominal depth of a flush-mount TUISKU louver is 300 mm.
- 3b The dimensions of TUISKU-AK bearing frame when attached to the wall opening surrounding construct. The bearing frame can be turned if needed.

NOTE! The TUISKU-AK installation frame must not be a part of the building's load-bearing structures.

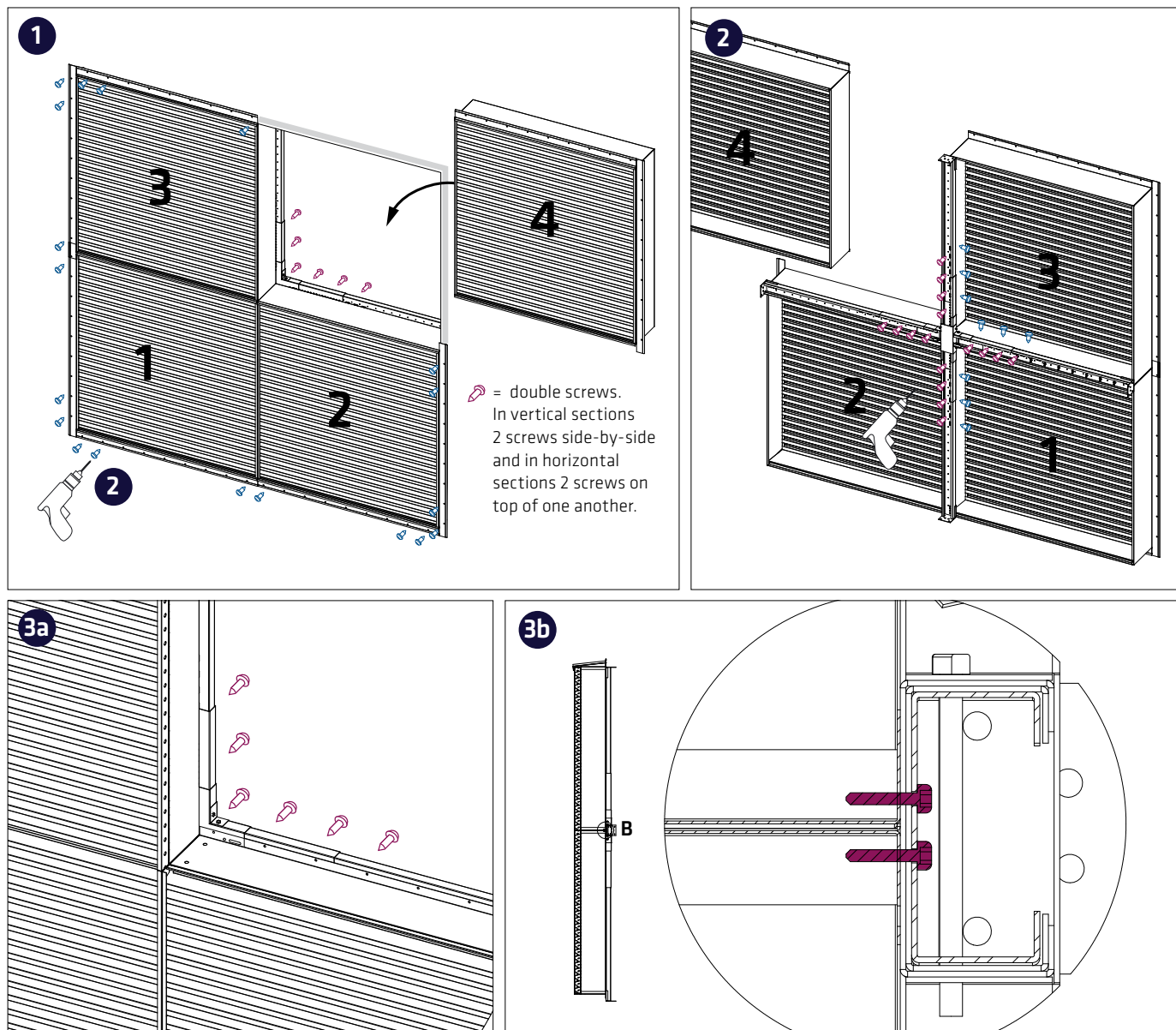
We recommend the following screw types or equivalent to mount the support frame inside the opening or to the edges of the opening:

- Wood: TX-20 4.5X40 full thread chipboard screw csk.hd. Zn
- Concrete: Concrete screw Fisher FBS 6 x 40/5 mm US or equivalent
- Sandwich: EJOT JT2-6-6.3 x 25 mm zinc-plated drill point + U-profile installation rails to the end of the panel
- Steel: EJOT JT2-6-6.3 x 25 mm zinc-plated drill point

The structure must always be approved by a structural engineer.

TUISKU flush mounting

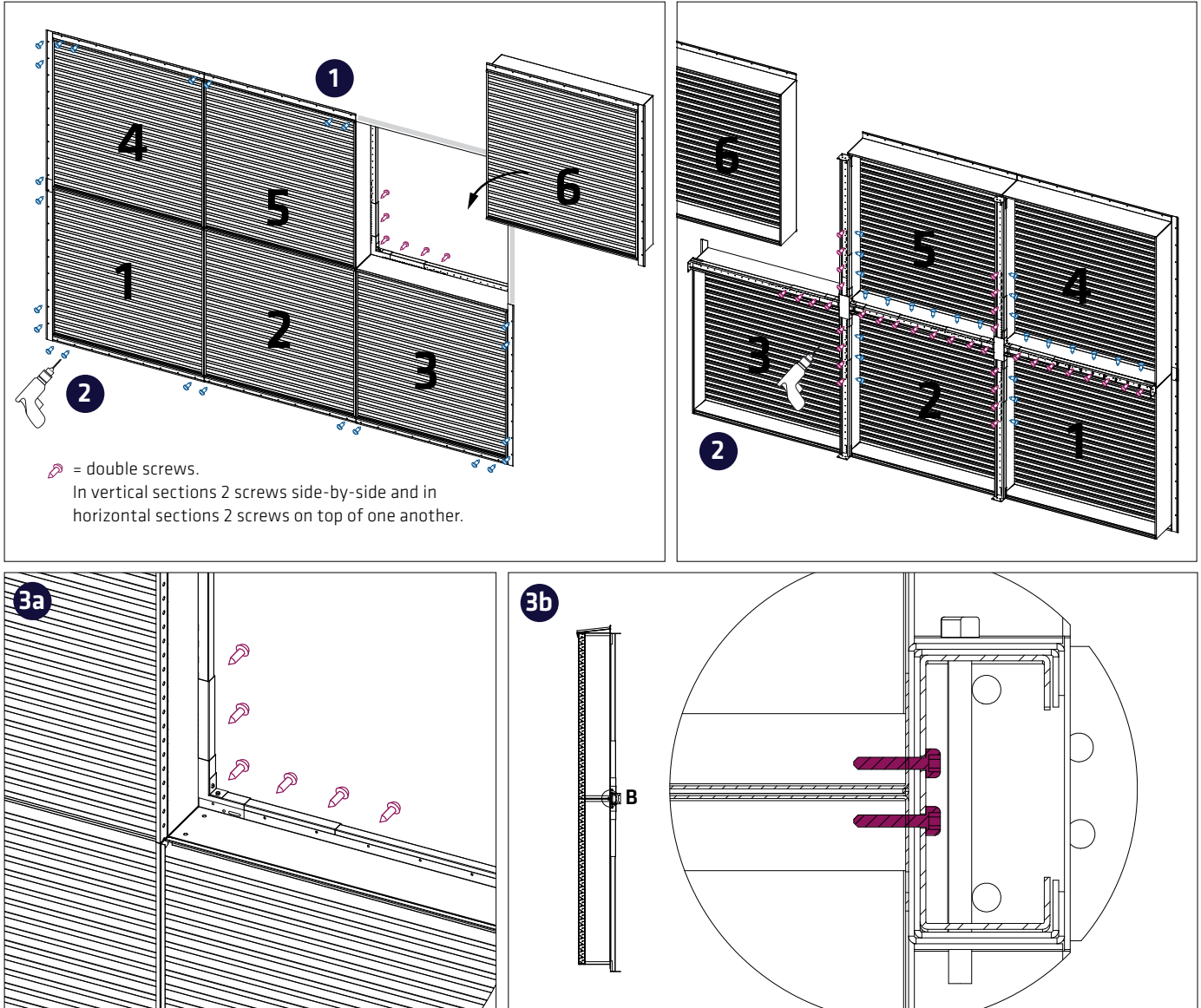
Multielement TUISKU + TUISKU-AK installation frame, for example 4-piece



- 1 Seal the edge behind the TUISKU frame so that TUISKU can be installed tightly.
- 2 Start installing from the bottom left corner as is shown in the figure.
 - The upper edges and the sides of the lower TUISKU elements are mounted from its rear end to the TUISKU-AK installation frame at intervals of about 300 mm.
 - The lower edges and one side are mounted to the load-bearing wall structure.
 - The upper TUISKU elements are lifted on top of the lower TUISKU elements and then correspondingly mounted to the installation frame and the load-bearing wall structure.
- 3a TUISKU is mounted on the TUISKU-AK installing frame with zinc-plated drill point screw EJOT JT2-6-6.3x25 mm
- 3b The TUISKU elements are mounted together from the sides and the top with zinc-plated drill point screws EJOT JT2-6-6.3x25mm.

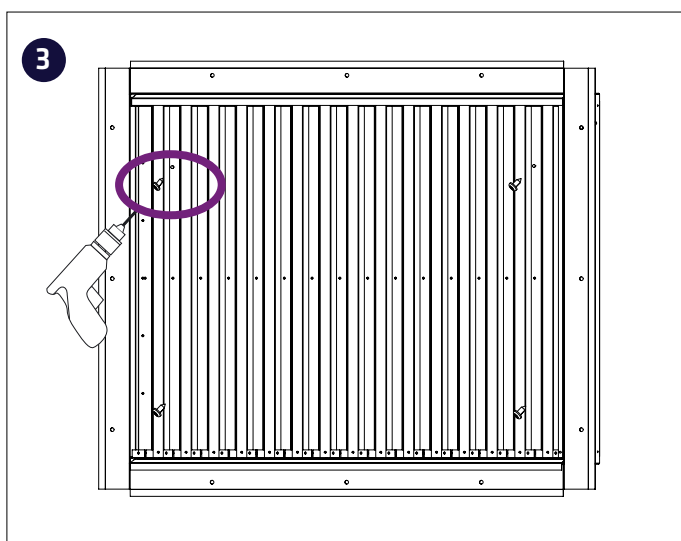
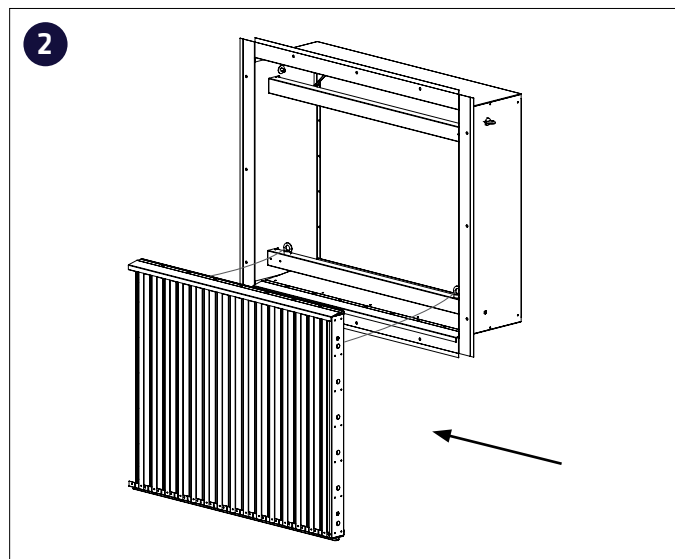
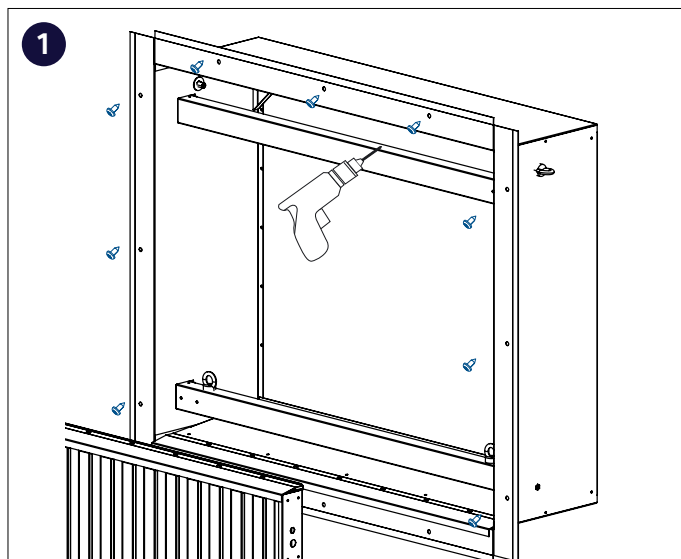
TUISKU flush mounting

Multielement TUISKU + TUISKU-AK installation frame, for example 6-piece



- 1** Seal the edge behind the TUISKU frame so that TUISKU can be installed tightly.
- 2** Start installing from the bottom left corner as is shown in the figure.
 - The upper edges and the sides of the bottom corner TUISKU elements are mounted from its rear end to the TUISKU-AK installation frame at intervals of about 300 mm.
 - The lower edges and one side are mounted to the load-bearing wall structure.
 - The bottom edge of the middle TUISKU element is mounted to the load-bearing structure and the other sides to the TUISKU-AK installation frame at intervals of about 300 mm.
 - The upper TUISKU elements are lifted on top of the lower TUISKU elements and then correspondingly mounted to the installation frame and the load-bearing wall structure.
- 3a** TUISKU is mounted on the TUISKU-AK installing frame with zinc-plated drill point screw EJOT JT2-6-6.3x25mm.
- 3b** The TUISKU elements are mounted together from the sides and the top with zinc-plated drill point screws EJOT JT2-6-6.3x25mm.

Installation of TUISKU-IS snow and rain cover with removable grille



- 1 Attach TUISKU's frame to the wall.
- 2 Fasten the wires as shown in the picture.
- 3 Attach TUISKU to the installation frame.

We recommend the following methods or equivalent to mount TUISKU to a wall:

- Wood: Farmer screw Ruspert 4.8x25-65 mm, RR, sharp point with washer
- Concrete: Concrete screw Fisher FBS 6x40/5 mm US or equivalent
- Sandwich: Sandwich panel screw with washer, drill point 4-14 mm SPA 5.5 x L (L=panel thickness)
- Steel: EJOT JT2-6-6.3x25mm zinc-plated drill point

If you have any questions concerning TUISKU installation,
you can contact the Climecon customer service

Tel. +358 (0)20 1986 600

Email info@climecon.fi

Climecon Oy

Lämmittäjänkatu 4 A
00880 HELSINKI
FINLAND

climecon.fi