

CleanMaster®



INSTALLATION MANUAL AND QUICK GUIDE

CONTRACTOR!

IMPORTANT!

READ THE INSTALLATION MANUAL CAREFULLY

Check at least the following sections to ensure an acceptable installation.

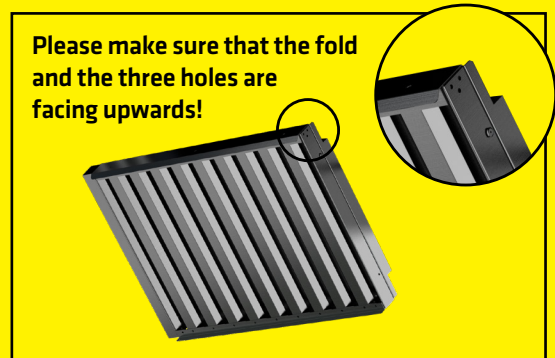
1. When you first start the device, determine its purpose of use and the number of separators. See page 10.

2. CHECK THAT THE SLIDESAFE SWITCH IS WORKING.

When the switch is opened (downward position), the UV system has to shut down.

3. CHECK THAT THE SEPARATORS HAVE BEEN INSTALLED CORRECTLY!

The upper part of the separator has a 'tongue' which should be placed in the groove in the upper part of the grease chamber. The UV separator is formed of two parts.



4. CHECK THAT THE INSTRUCTIONAL LABELS ENCLOSED TO THE DELIVERY are installed in the immediate vicinity of the hoods.

5. USERS MUST BE TRAINED TO OPERATE THE DEVICE and this training should also be written down for the client.

6. MAKE SURE THAT THE COMMISSING RECORD HAS BEEN FILLED IN CORRECTLY and that all the necessary tests have been performed and recorded!

You can also order the commissioning, installation, (excluding hauling and HVAC contract work) training and maintenance services directly from Climecon.

Lämmittäjänkatu 4 A
00880 HELSINKI
Puh. +358 20 198 6600
climecon.fi

 **CLIMECON**

Contents

1. General.....	4
2. The content of CleanMaster® hood deliveries:	5
3. Warnings.....	6
4. CleanMaster quick guide.....	7
5. Installation instructions for CleanMaster® hoods.....	8
6. Electrical connections of the CleanMaster hood.....	9
7. Operation modes (A, B or C).....	10
8. Starting the CleanMaster hood.....	11
9. Disconnecting the grease separators	13
10. Changing the UV lamp.....	14
11. Adjustment instructions for CleanMaster® hoods.....	15
12. K value table of CleanMaster®-hoods	16
13. Installing the UV lamp	17
14. Installing the grease separators and locking the SlideSafe safety lock	18
15. Maintenance instructions for CleanMaster® hoods.....	19
16. Updating the Climecon CleanMaster® software.....	23
17. Climecon CleanMaster® – updating an external controller	24
General delivery and warranty terms	26

1. General

These installation, adjustment and maintenance instructions apply to Climecon CleanMaster® hoods.

The Climecon CleanMaster® hood range includes:

- CleanMaster® hoods
- CleanMaster® hoods with control air
- CleanMaster® hoods with supply and control air

Read these installation, adjustment and maintenance instructions carefully through before installing and using the product. If you have any questions regarding the product's installation or use, please contact Climecon's customer service.

Climecon Oy

Lämmittäjänkatu 4 A

00880 HELSINKI

Puh 020 198 6600

Fax 020 198 6609

1.1 Occupational safety and the product's safe installation

Use that violates the user or safety instructions, neglecting these or improper use of UV devices may lead to personal injury!

NOTE! The electrical connections of the CleanMaster® system can only be performed by an authorised electrician. The validity of the warranty requires that only Climecon's own replacement parts and UV lamps are used.

No replacement parts or UV lamps other than original ones or ones ordered from Climecon can be used for the device. UV lamps need to always be ordered through Climecon's customer service. (Tel. +358 (0)20 1986 600)

Ultraviolet radiation and ozone are hazardous to health! Skin and eyes are especially vulnerable to ultraviolet radiation. The radiation can cause burns and long-term exposure can lead to cataracts.

When removing the grease filters, always make sure that the UV lamps are not on!

ALWAYS use protective eyewear and safety gloves during installation in case of quartz shards that may occur if a UV lamp breaks.

1.2 Receiving a delivery

Check that the delivered batch matches the order and that all the parts listed in the cover letter have been included. If the delivery is incorrect, deficient or damaged, please inform the driver of this immediately and compile a review for Climecon or the dealer.

The period of notice is five days after the delivery. Climecon Oy is not liable for any costs accrued due to replacing products that have been installed in violation of the installation instructions.

If any problems arise, please contact Climecon's customer service!

2. The content of CleanMaster® hood deliveries:

The delivery includes:

- A hood as stated in the order confirmation
 - Grease separators
 - Grease tray/trays
- UV lamps according to a system in which the quick connectors have already been installed
- Electrical drawings in accordance with the system
- Warning labels for the hood
- Installation, adjustment, user and maintenance instructions

The delivery does not include:

- Voltage supply line (e.g. 3x2.5mm) for the UV control unit
- Mounting accessories

3. Warnings



Danger of ultraviolet radiation and ozone!

Your skin and eyes are especially vulnerable to ultraviolet radiation. The radiation can cause burns, and long-term exposure can lead to cataracts; ultraviolet radiation is detrimental to the lens of the eyes and corneas.



When removing the grease filters, always make sure that the UV lamps are not on!
Read through the user instructions carefully!



Danger of falling!

Ensure that the device has sufficient support during installation.



Protective goggles and gloves must be worn during installation and maintenance!

Protective goggles and work gloves must be worn during all installation and maintenance actions. Quartz shards may occur if a UV lamp breaks.



Danger of electric shock!

The electrical connections of the CleanMaster® system can only be performed by an authorised electrician.



Always switch the system off before performing any maintenance!



Only Climecon's own replacement parts and UV lamps can be used in the CleanMaster® system.

The validity of the warranty requires that only Climecon's own replacement parts and UV lamps are used. No replacement parts or UV lamps other than original ones or ones ordered from Climecon can be used for the device.

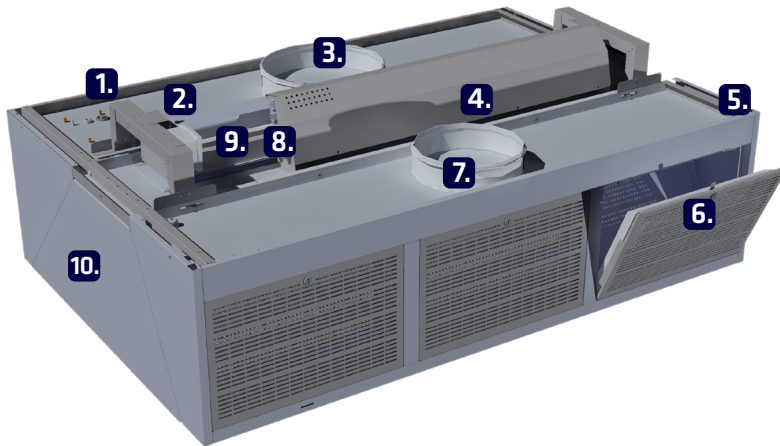
UV lamps need to always be ordered through Climecon's customer service.
(Tel. +358 (0)20 1986 600)

4. CleanMaster quick guide



Always switch the system off before performing any maintenance!

CleanMaster features integrated technology for the UV use. A separate control device is not needed. The hood is electrified by connecting the power cord to the integrated control device on top of the hood. The casing can also be accessed from below the hood by opening the quick latches, which allows the hinged cover with the control device to open. The light has a separate cord that needs to be connected to the lighting group.



1. Supply point for the UV light and the SlideSafe switch*
2. Pressure transmitter*
3. Exhaust air
4. Integrated control device
5. Carrying points M8 in the corners (also in the middle for the larger size classes, Z iron included to facilitate mounting)
6. Easily removable supply air slats for maintenance
7. Supply air
8. Grommets for the control device (with strain reliefs)
9. Climecon OptiLUMO LED light*
10. End wall (removable for units with several modules)

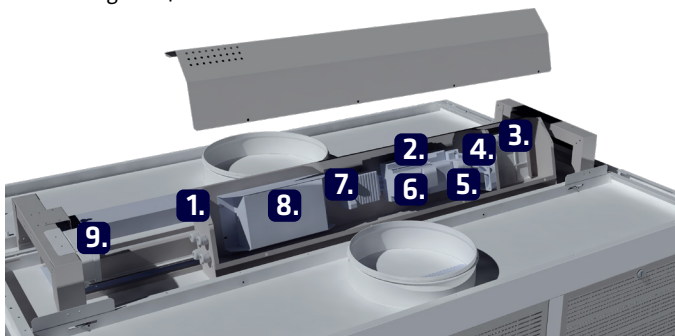


Danger of electric shock! Electricity supply to the control device

NOTE! Electrical connections may only be made by a professional electrician.

- The hood has to be electrified through the safety switch, which is visible near the hood and has been named
- The control device's switching power is max. 400 W
- The light is connected to the light group (connection cable as factory equipment)

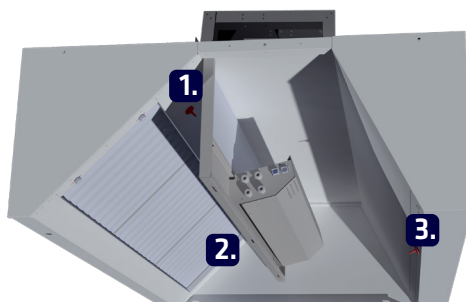
The control device's hatch can be opened by unscrewing the 4 screws in the hatch



1. Connector for the external controller
2. ModBUS connection point
3. Filter (to be replaced as necessary)
4. Fan (check functionality during maintenance)
5. Electrical supply 230 V LN + protective earth
6. Controller with a screen, see separate instructions: Climecon CleanMaster controller's instructions: climecon.fi/clm
The screen also displays the amount of air (l/s)
7. Automation points, see separate instructions: Automation instructions climecon.fi/clm
8. UV light switch
9. Differential pressure transmitter, automatic calibration*

You can also view the control device by opening the hatch below the hood.

NOTE! Remember to take into account the loose cable needed for opening the hatch.



1. Exhaust chamber's measuring connection (check the K value from the label inside the hood)
2. UV-approved grease separators
3. Measuring connection between the supply air chamber and control air (check the K value from the label inside the hood)

*connected at the factory

5. Installation instructions for CleanMaster® hoods



PROTECTIVE GOGGLES AND GLOVES MUST BE WORN DURING INSTALLATION AND MAINTENANCE!



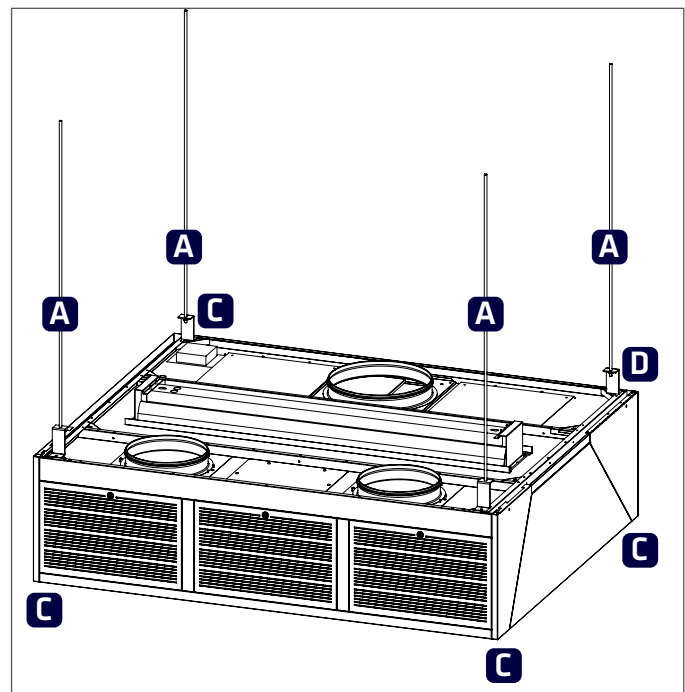
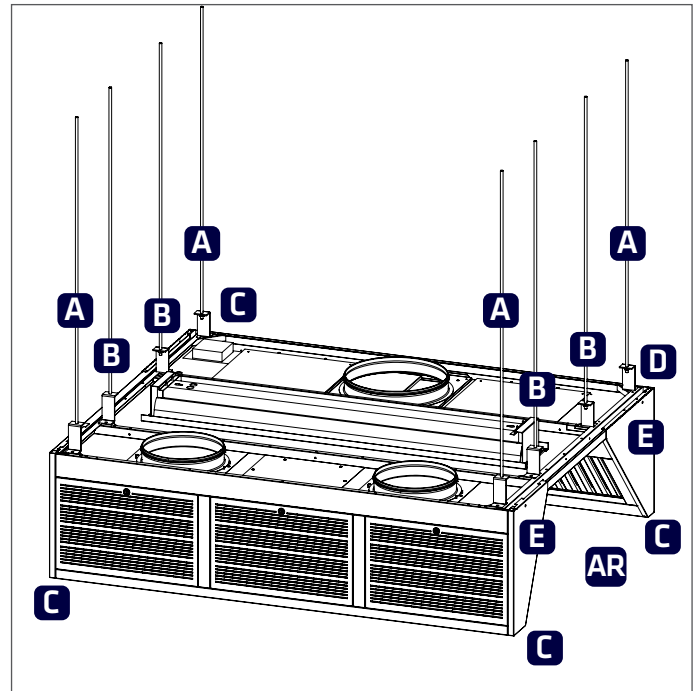
DANGER OF FALLING DURING

3.1 Installing the hood

1. Mount the threaded rods (A) to the ceiling at the correct points. **NOTE!** The threaded rods are not included in the delivery!

If the hood is open on the side (AR), the hood also needs to be mounted from the middle of its open side (B).

2. Lift the hood up evenly by its corners (C).
3. Install the fitting brackets (D) to the threaded rod and the hood.
4. Check that the hood is vertical.
5. Remove any possible transport supports.
6. Connect side-by-side hoods to each other by the holes in the hood's top edge (E), using an M6 bolt and nut.
7. If the unit in question has several hoods, seal the seam with appropriate adhesive mass, such as 3M Hybrid glue/sealant mass 760 UV



6. Electrical connections of the CleanMaster hood

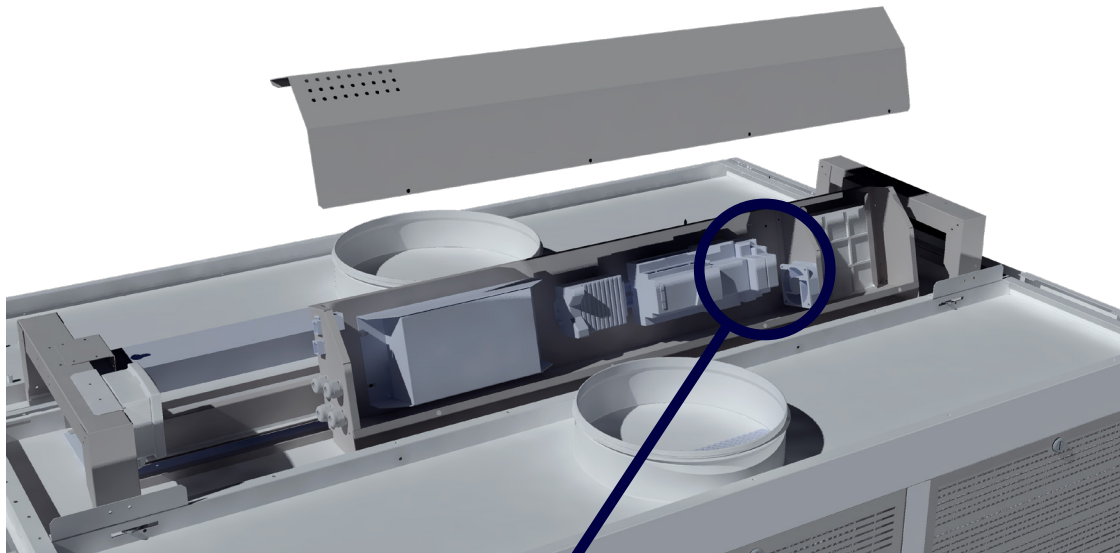


Danger of electric shock!

Electricity supply to the control device

NOTE! Electrical connections may only be made by a professional electrician.

- The hood has to be electrified through the safety switch, which is visible near the hood and has been named
- The control device's switching power is max. 400 W
- The light is connected to the light group (connection cable as factory equipment)



Electricity supply connections:

Q1:2 (wire protection) - 230 VAC IN, 50-60 Hz, L

Q1:4 (wire protection) - 230 VAC IN, 50-60 Hz, N

X2: PE (left) 230 VAC IN, 50-60 Hz, PE

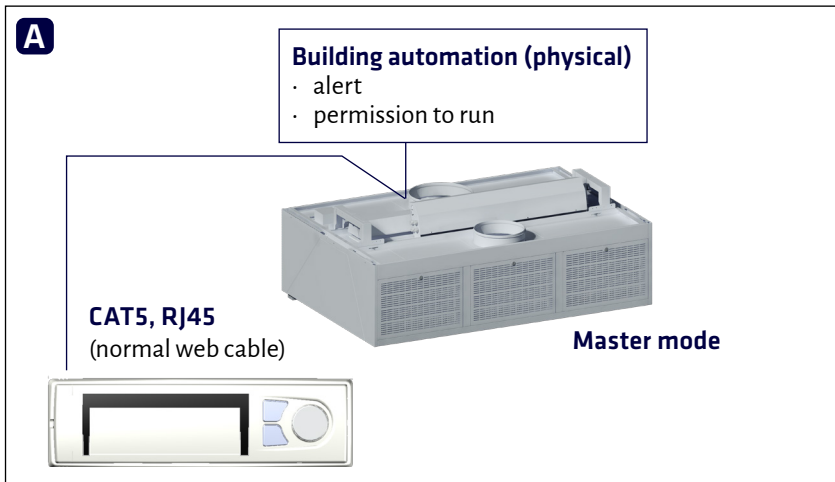
Electricity supply is brought to the casing through a strain reliever. Note, the opened hatch may turn.

Electricity supply has to be connected to the hood/hood group via a safety switch.

The safety switch has to be clearly visible and the label included in the delivery must be attached to it!

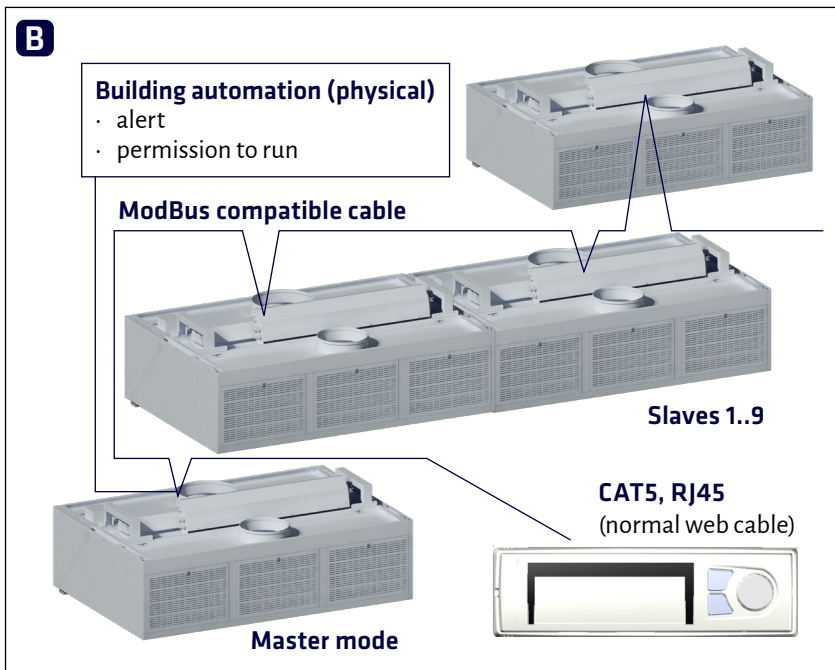


7. Operation modes (A, B or C)



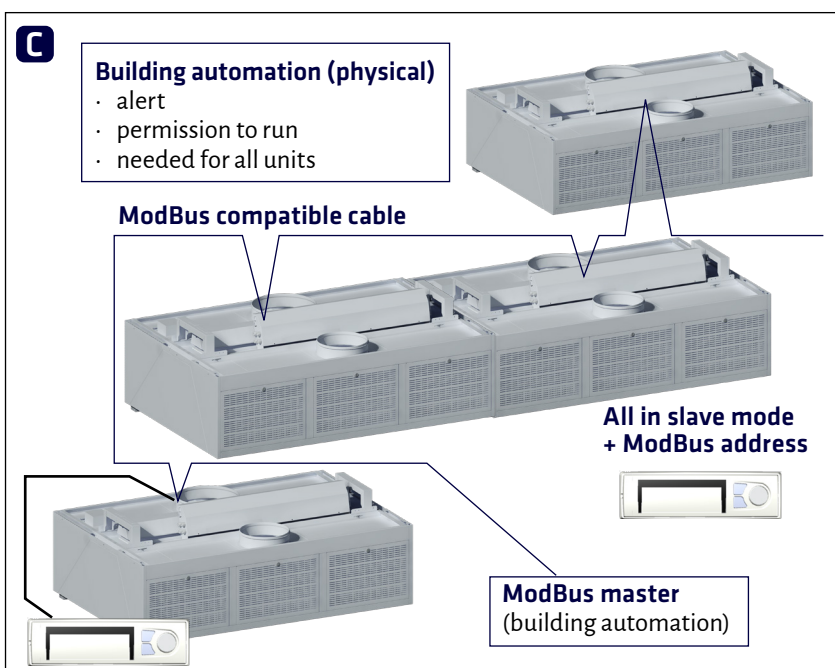
A: STAND-ALONE IN MASTER MODE

- local monitoring
- one display
- Physical BAS control



B: LOCAL GROUP, MASTER + 1-9 SLAVES

- local monitoring (all units in the group)
- one display
- Physical BAS control (master)



C: OPERATED AND MONITORED BY A BAS

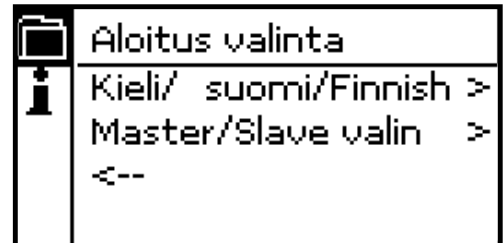
- Local monitoring only for connected hood
- 1...n display if local monitoring needed
- Physical BAS Control (overrides ModBus)
- Control via ModBus
- Modbus master not supplied

8. Starting the CleanMaster hood

When the device is first started, the control logic must be provided with the basic hood information to ensure its correct operation.

1. Choose your language

Finnish, Swedish or English



2. Master/Slave

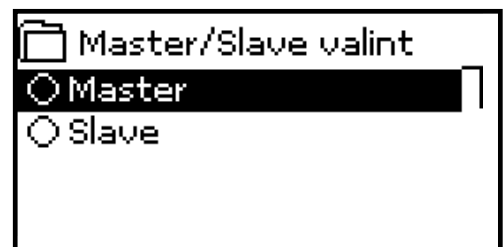
Climecon CleanMaster can be the device's Master or Slave device.

The choice between Master or Slave is made when the device is started for the first time.

If the device in question is a separate hood or a group of hoods where all hoods act independently, choose Master. Other settings do not need to be changed.

If the device in question is a group of hoods where several hoods are controlled with one control device, select **Master** from the main controller and then the **Slave** devices to be used with the addresses 1–9.

In addition to this, all Slave devices must be defined as Slave devices during the initial start, and must be determined a Slave address from 1 to 9.



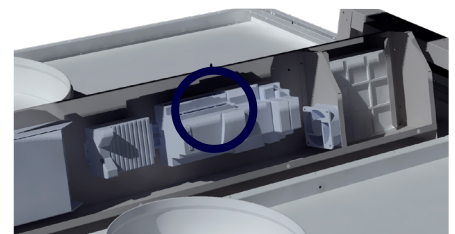
Hood connections in a Master/Slave assembly.

If the main controller is used with several hoods, a ModBus compliant data cable must be connected between these hoods, such as Datajamak 2x(2+1)x0.24. The ModBus data cable is connected to the control device's ModBus channel 2, to the points:

3: ModBus ground / shield

4: ModBus (-) / B2

5: Modbus (+) / A2



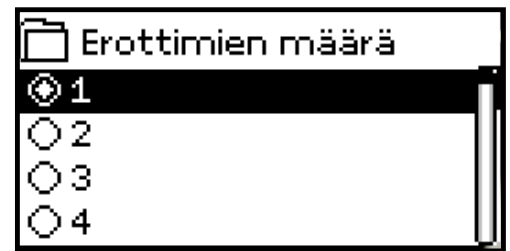
The connection must be made in accordance with the ModBus architecture.

The main controller has to be the 1st bus device, from where it's cabled to the Slave hood 1–9. After the last device in the chain, the bus is terminated with a terminating resistor (100 ohm).

3. Number of separators

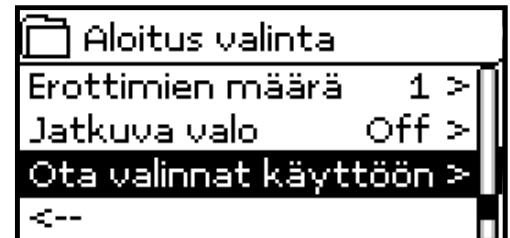
The measurement of air quantity is based on measuring the chamber pressure. To achieve the correct result, the number of separators must be defined for the logic. The hood can have 1–6 separators when it is a one-sided ‘wall model’. If it is two-sided, there can be 1–12 separators.

Define the number of separators in the configuration to the logic. If there are ‘blinds’ in the hood, they are not included in the number of separators. For example, the maximum number of separators in a hood with a width of two metres is 4.



4. Approve the selections by clicking

“Commission selections”, after which the device will restart. After this, the hood will be ready to use. The UV lamp switches on automatically when the chamber’s pressure is over 10 Pa and the SlideSafe switch is in the OFF position. When the UV lamp is on, the lamp symbol is shown in the screen’s top row.



The Climecon CleanMaster system can also be connected to the external ModBus control device. In this case, a Slave address in the range of 1–250 will be defined for all devices. The ModBus parameter map is available through **Climecon Oy’s customer service**.

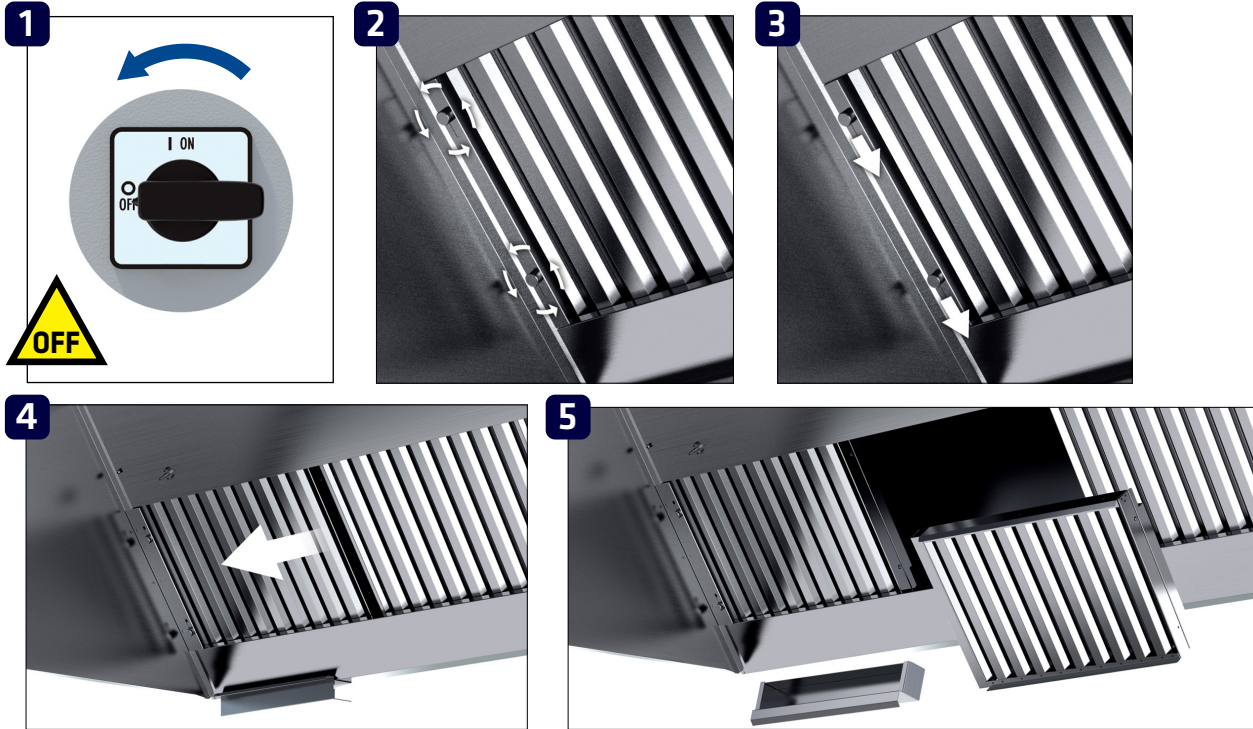
9. Disconnecting the grease separators



ULTRAVIOLET RADIATION HAZARD



WEAR PROTECTIVE EYEWEAR DURING INSTALLATION AND MAINTENANCE



1. Turn off the CleanMaster® system by flipping the CCM control unit's main switch to the OFF position.
2. Open the safety lock of the grease separators by loosening the hand knobs located on the left side of the separators.
3. Slide the knobs to their lowest position.
NOTE! If the CleanMaster® system has not been closed from the CCM control unit as instructed, the CleanMaster® system will shut off automatically at this point.
4. Move the left grease separator further to the left.
5. First, disconnect the leftmost grease separator and then the others.
The grease separators are machine washable. Clean the exhaust air chamber if necessary.

6.3 Replacing the fluorescent tubes of lights

1. Open the lamp's cover glass by opening its attachment screws.
2. Replace the fluorescent tubes.
3. Check that the sealants are undamaged.
4. Reinstall the cover glass.

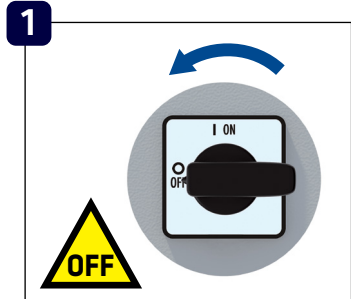
10. Changing the UV lamp



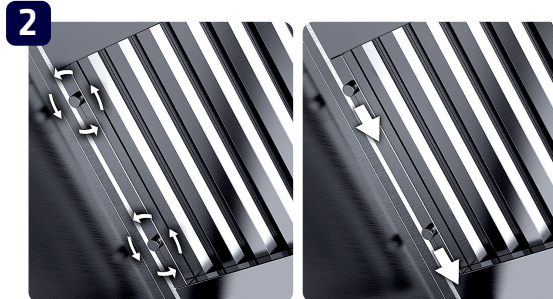
ULTRAVIOLET RADIATION HAZARD



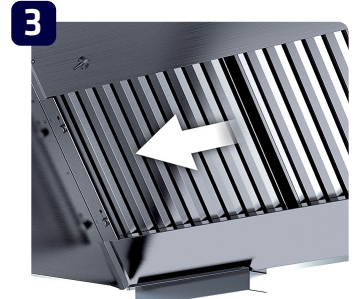
WEAR PROTECTIVE EYEWEAR DURING INSTALLATION AND MAINTENANCE



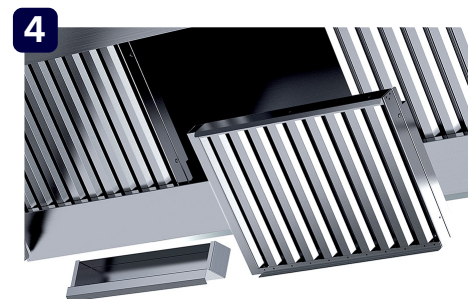
Switch the system off before performing any maintenance actions!



Open the SlideSafe safety lock by loosening the hand knobs and lowering them to their lower position.



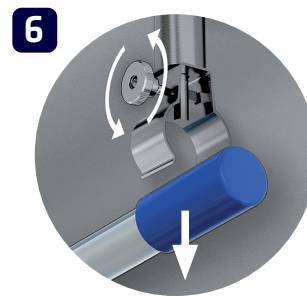
Move the left grease separator further to the left.



First, disconnect the leftmost grease separator and then the others.



Disconnect the UV lamp's electrical connector (quick connector) from the hood ceiling by turning it counterclockwise.



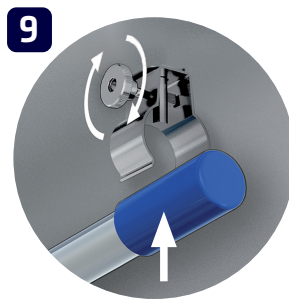
Twist the hand knobs of the UV lamp brackets counterclockwise and detach the UV lamp from the brackets.



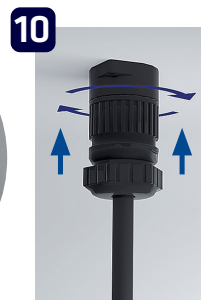
Please deliver your old UV lamp to a collection point for fluorescent tubes.



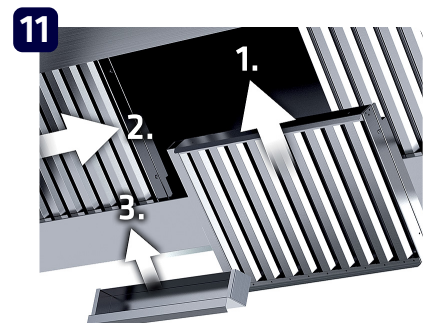
Replace the UV lamp. Only Climecon's UV lamps can be used in the CleanMaster® system. Order a new lamp through Climecon's customer service.



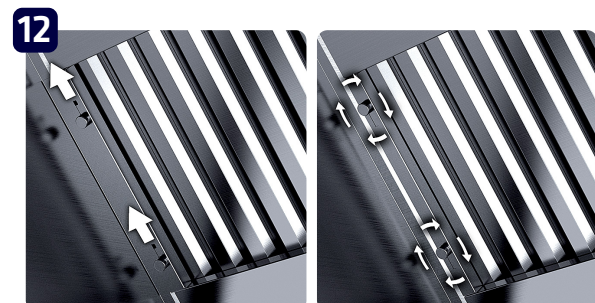
Attach the new UV lamp to the brackets and tighten the hand knobs by turning them clockwise.



Attach the UV lamp's electrical connector (quick connector) to the hood's ceiling and tighten it by turning it clockwise.



Install all grease separators back into the hood. Install the outermost grease separator first and the grease separator second from the left as the last.



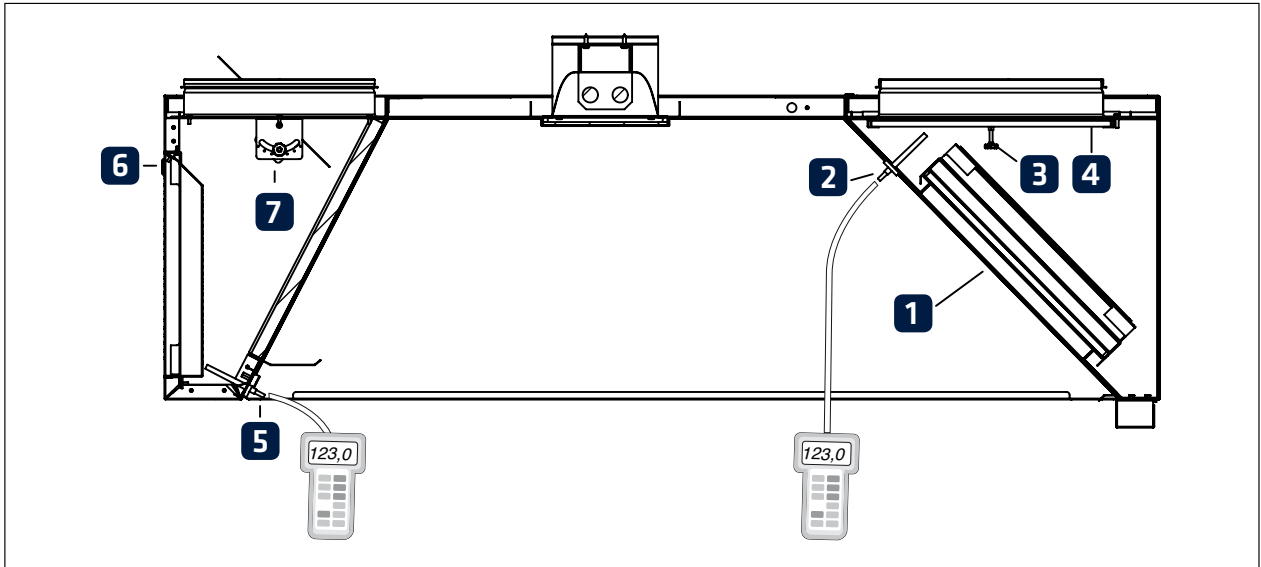
Close the SlideSafe safety lock by first lifting the hand knobs to their upper position and then retightening them.



In uncertain cases, always contact Climecon's customer service, tel. +358 (0)20 1986 600.

11. Adjustment instructions for CleanMaster® hoods

4.1 Adjusting supply air, exhaust air and control air



Adjusting supply air

- First, measure the pressure loss from the supply air chamber's measuring connection (5).
- Disconnect the supply air modules (6) with a screwdriver.
- Supply air can be controlled by turning the control damper (7) inside the supply air chamber.
- Lock the control damper with a locking screw.
- Reinstall the supply air modules (6).
- Measure the pressure loss from the supply air chamber's measuring connection (5).
- Repeat the steps above if necessary.

Adjusting the exhaust air:

- Separate the grease separator cartridges (1) carefully by pushing its lower edge backwards while lifting the upper edge away from the mounting trough.
- Open the damper's (4) locking screw (3).
- Make the suction opening larger or smaller by moving the damper in its slide rails.
- Install the separator cartridge/cartridges in place properly.
- Measure the pressure loss from the chamber's measuring connection (2).
- Repeat the steps above if necessary.
- Finally, lock the damper with a locking screw and check that the separator cartridges are properly installed.

Adjusting the control air

It is possible to adjust the throw length of control air. These adjustments can be made by first turning the hand knobs of the control air unit, then moving them sideways and finally locking the position by retightening the hand knobs.



12. K value table of CleanMaster[®]-hoods

Hood model	Exhaust air/Number of separators (pcs)											
	1	2	3	4	5	6	7	8	9	10	11	12
CleanMaster [®]	18,5	37	55,5	74	92,5	111	129,5	148	166,5	185	203,5	222
StandardPlus, grease	21,6	43,2	64,8	86,4	108	129,6	151,2	172,8	194,4	216	237,6	259,2
StandardPlus, condensation	22,7	45,4	68,1	90,8	113,5	136,2	158,9	181,6	204,3	227	249,7	272,4

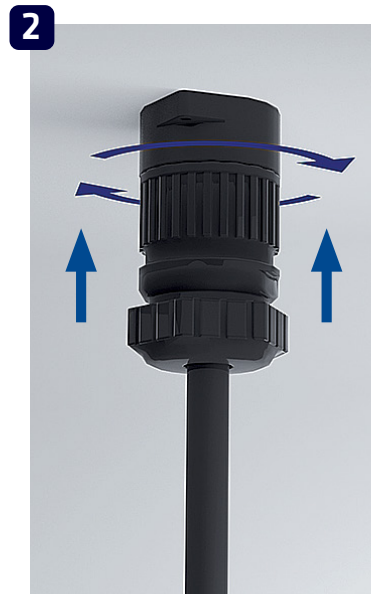
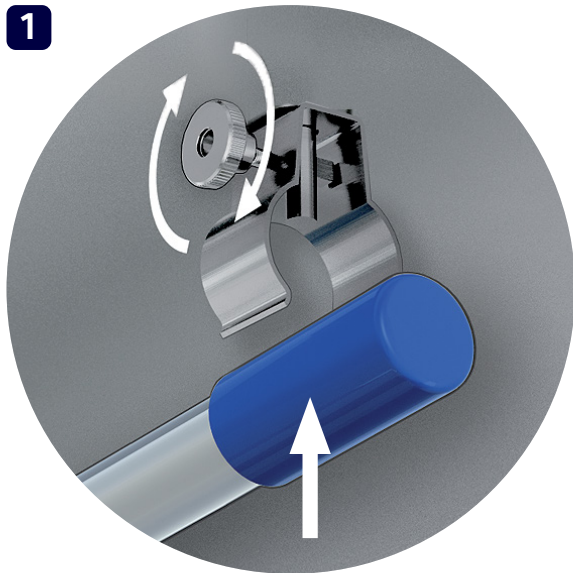
Height of the hood	Supply air/Hood width (mm)					
	800	1000	1500	2000	2500	3000
H=560 mm	28	45	67	90	112	135
H=400 mm	22	42	64	85	106	127
H=300 mm	22	33	49	66	82	99

Adjustment position	Control air/Hood width (mm)					
	800	1000	1500	2000	2500	3000
Maximum (Fully open)	1,4	2,8	4,2	5,6	7,0	8,4
Minimum (Half open)*	0,6	1,2	1,8	2,4	3,0	3,6

*Recommended to be used if supply air pressure exceeds 15 Pa.

13. Installing the UV lamp

1. Attach the UV lamp carefully to the fastenings in the hood's grease chamber.
NOTE! Centre the lamp's blue plastic parts to the fastenings. Tighten the fastenings using fixing screws.
2. Connect the quick connector of the lamp's power cable to its counterpart on the hood's ceiling. Rotate the connector's locking ring.
NOTE! Attach the instruction labels (included in the delivery) for changing the UV lamp and maintaining the hood in a visible place near the CCM control unit.
3. Attach the UV lamp's power cords to the holes in the fastenings with cable ties and roll up any extra cords so that they do not lie in the grease.
NOTE! Do not attach the cords directly to the lamp!



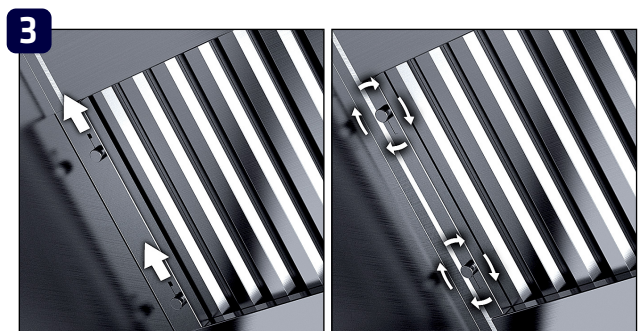
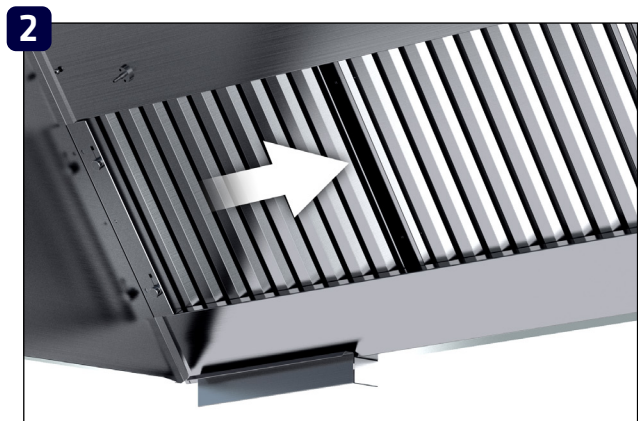
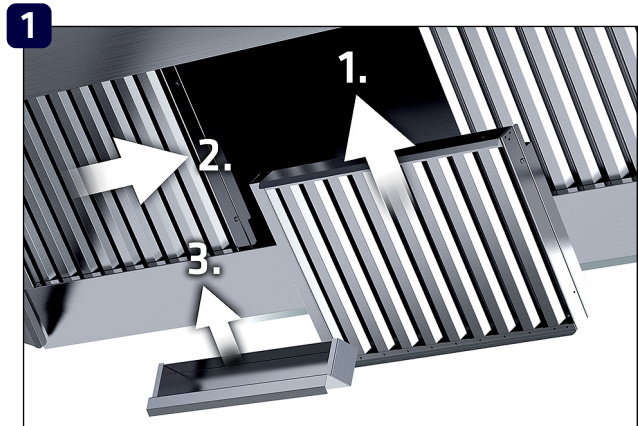
14. Installing the grease separators and locking the SlideSafe safety lock



SWITCH THE SYSTEM OFF BEFORE PERFORMING ANY MAINTENANCE ACTIONS

1. Install the hood's outermost grease separators first and the grease separator second from the left only as the last. Remember to also install the grease trays on the bottom of the exhaust air chamber.
2. Move the left grease separator to the right.
3. Lock the SlideSafe safety lock by first lifting the hand knobs to their upper position and then retightening them.

NOTE! The CleanMaster® system will not start if the SlideSafe safety lock has not been locked properly.



15. Maintenance instructions for CleanMaster® hoods

To ensure a high level of hygiene, fire safety and functionality, it is important to maintain the cleanliness of kitchen equipment. The cleaning frequency of Climecon's CleanMaster® hoods depends on their use and should be determined based on their utilisation rate.

The hoods are cleaned with detergents suitable for stainless steel. The use of highly alkaline substances (pH > 11) should be avoided. Climecon's UV lamps do not need to be cleaned in normal conditions.

5.1 Cleaning the hoods

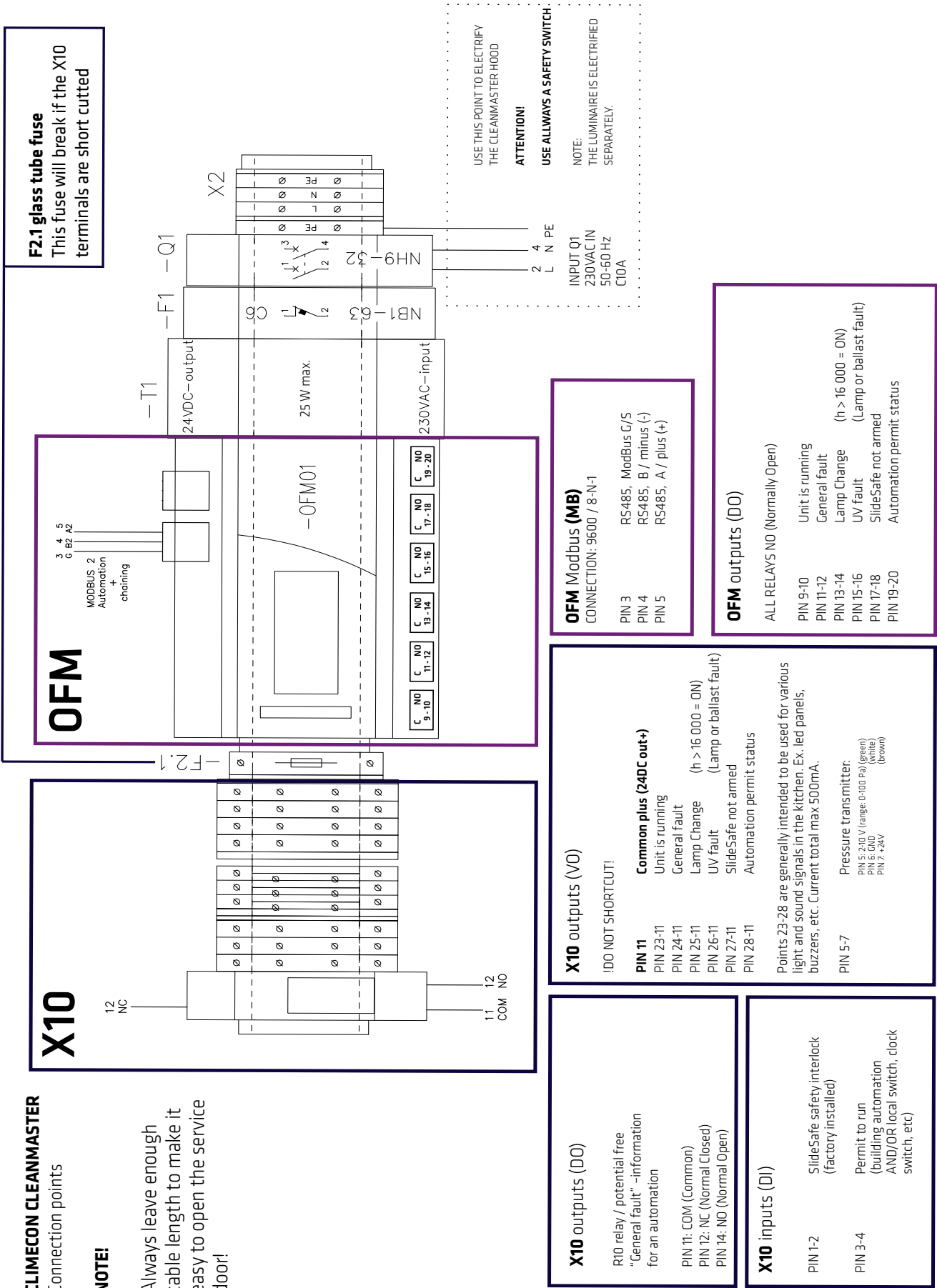
1. Clean the hood's surfaces by wiping them gently.
2. Clean the hood's edge gutters and grease trays.
The grease trays are machine-washable.
3. If necessary, gently wipe down the lights' cover glass.
4. Clean the exhaust air chamber if necessary. See the instructions for detaching the grease separators in chapter 5.2 Detaching the grease separators.
5. Clean the supply air modules if necessary.

The supply air modules are easy to detach: first, open the fastening mechanism in the module's upper part with a screwdriver and then release the supply air module from the supply air unit.

The supply air modules are machine-washable.



The grease separators, grease trays and supply air modules are machine-washable.



CLIMECON CLEANMASTER

Connection points

NOTE!

Always leave enough cable length to make it easy to open the service door!

F2.1 glass tube fuse
This fuse will break if the X10 terminals are short cutted

USE THIS POINT TO ELECTRIFY THE CLEANMASTER HOOD
ATTENTION!
USE ALWAYS A SAFETY SWITCH.

X10 outputs (DO)

R10 relay / potential free "General Fault" -information for an automation
PIN 11: COM (Common)
PIN 12: NC (Normal Closed)
PIN 14: NO (Normal Open)

X10 inputs (DI)

PIN 1-2 SlideSafe safety interlock (factory installed)
PIN 3-4 Permit to run (building automation AND/OR local switch, clock switch, etc)

X10 outputs (VO)

! DO NOT SHORTCUT!

PIN 11
PIN 23-11
PIN 24-11
PIN 25-11
PIN 26-11
PIN 27-11
PIN 28-11
Common plus (24DC out+)
Unit is running
General fault
Lamp Change (h > 16 000 = ON)
UV fault (Lamp or ballast fault)
SlideSafe not armed
Automation permit status

Points 23-28 are generally intended to be used for various light and sound signals in the kitchen. Ex. led panels, buzzers, etc. Current total max 500mA.

PIN 5-7
Pressure transmitter:
PIN 5: 2.0V (range: 0-100 Pa) (green)
PIN 6: COM (white)
PIN 7: 24V (brown)

OFM Modbus (MB)

CONNECTION: 9600 / 8-N-1

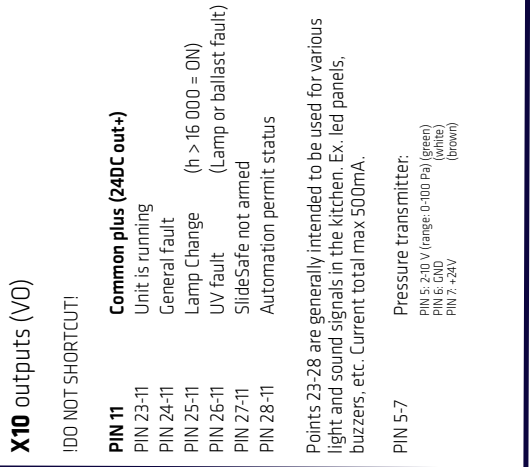
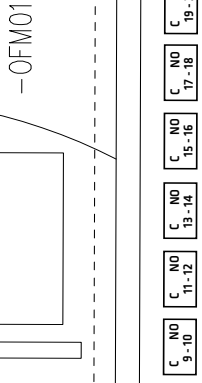
PIN 3 RS-485, ModBus G/S
PIN 4 RS-485, B / minus (-)
PIN 5 RS-485, A / plus (+)

OFM outputs (DO)

ALL RELAYS NO (Normally Open)
PIN 9-10 Unit is running
PIN 11-12 General fault
PIN 13-14 Lamp Change (h > 16 000 = ON)
PIN 15-16 UV fault (Lamp or ballast fault)
PIN 17-18 SlideSafe not armed
PIN 19-20 Automation permit status

OFM

MODBUS 2 Automation + chaining

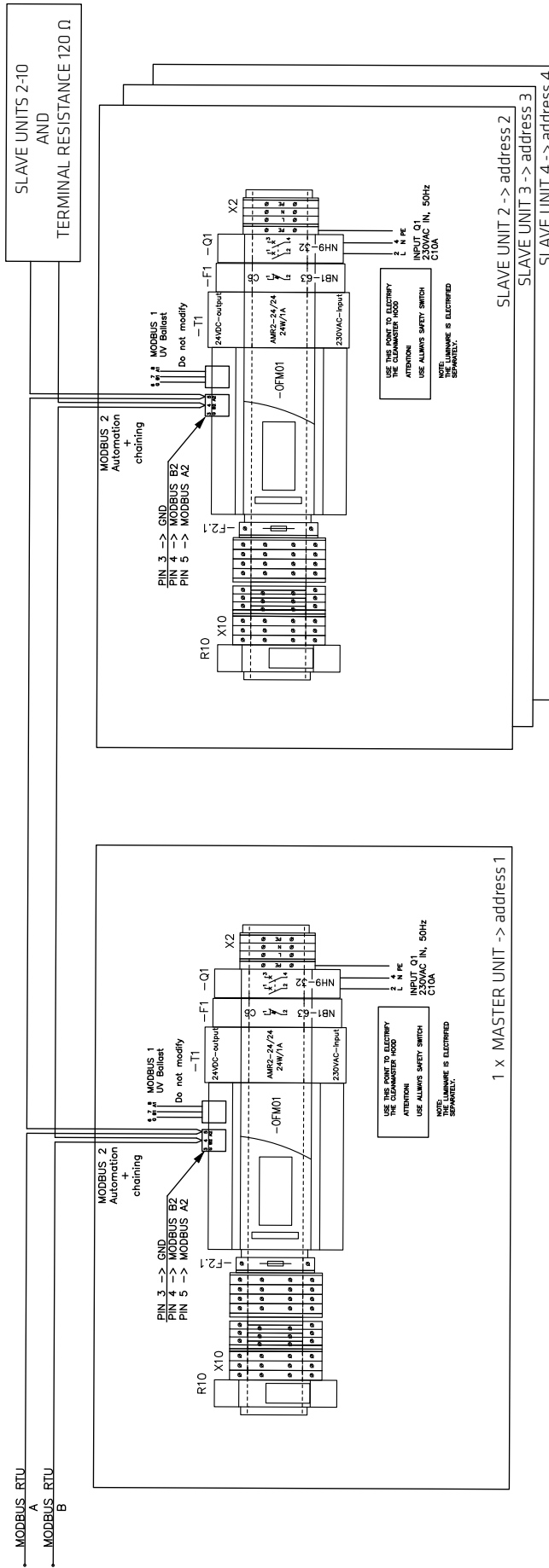


CLIMECON CLEANMASTER

MASTER/SLAVE CONFIGURATION max. 10 units per controller (1+9)

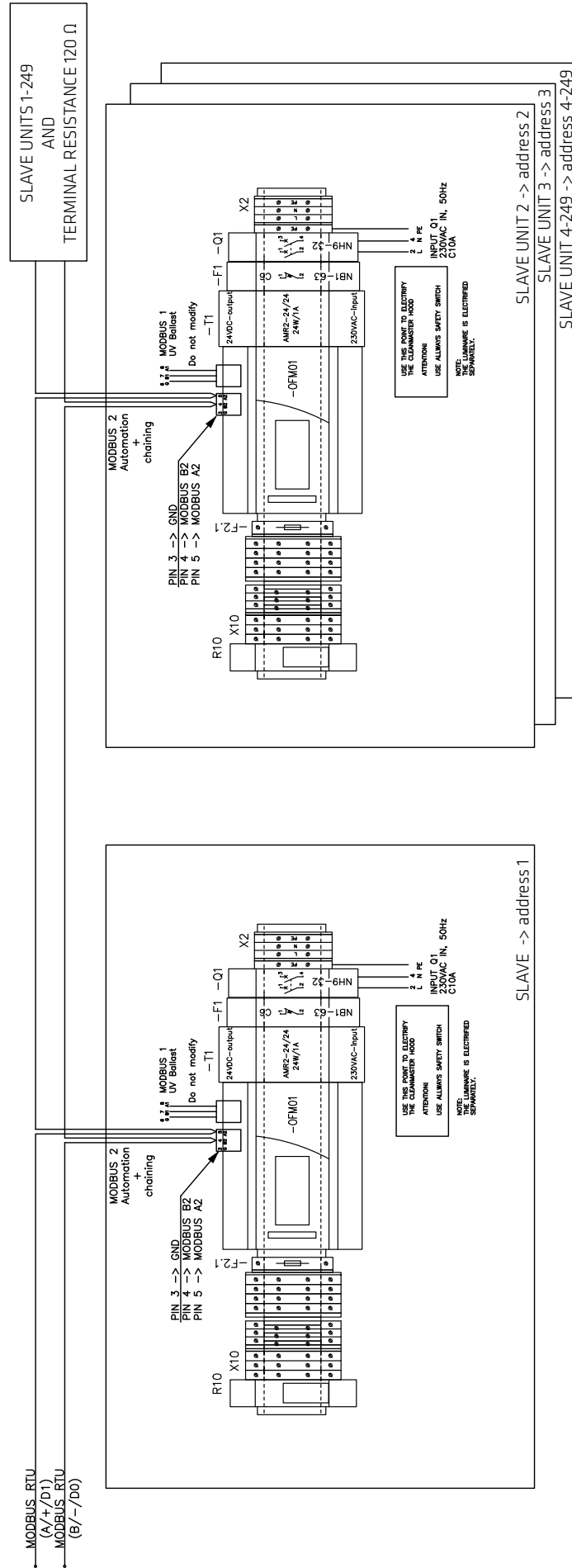
1 X MASTER UNIT -> address 1

2-10 X SLAVE UNIT(S) -> address 2-10



CLIMECON CLEANMASTER
 MODBUS CONFIGURATION

- 1 x MODBUS RTU MASTER (Not included with delivery)
- 1-249 x SLAVE UNIT (s) -> address 1-249



EU compliance

1. The product's ID number: CleanMaster professional kitchen hood

2. Name and address of the manufacturer or its authorised representative:

Climecon Oy
 Lämmittäjänkatu 4
 00880 Helsinki
 +358 (0)20 198 6600
 info@climecon.fi

3. This declaration of conformity has been given at the manufacturer's sole responsibility.

4. Object of the declaration:

Product: Professional kitchen hood
Trademark: CleanMaster
Model/type: 2G

5. The object of the declaration described above is compliant with the Union's appropriate conformity legislation:

The low voltage directive (LVD) 2014/35/EU
 EMC Directive 2014/30/EU (electromagnetic compatibility)
 RoHS Directive 2011/65/EU (restriction of hazardous substances)

6. A reference to the appropriate harmonised standards that were applied or a reference to other technical specifications based on which the declaration of conformity was given:

LVD: EN 60335-1:2010 Household and similar electrical appliances
 Safety – part 1: General requirements

EMC: EN 61000-6-1 Electromagnetic compatibility (EMC) – part 6-1: Generic standards Immunity for residential, commercial and light-industrial environments.

EN 61000-6-3 Electromagnetic compatibility (EMC) – part 6-3: Generic standards Emission standard for residential, commercial and light-industrial environments

LVD: EN 50581/2012 Technical documentation for the assessment of electrical and electronic products with respect to the restriction of hazardous substances

Helsinki 3 July 2020

Climecon Oy

Tommi Uksila, Managing Director

General delivery and warranty terms

The delivery term in Finland is FCA Helsinki, Finland (Free Carrier) (Incoterms 2010), unless otherwise agreed. For export, the term EXW Kausala/Pihtipudas (Incoterms 2010) will be applied.

The freight fee is delivery-specific and determined based on the carrier company's valid price list. A €60 small delivery fee will be charged for deliveries with the net price of less than €250, unless otherwise agreed.

As an additional service, the carrier will call the recipient's telephone number listed in the waybill before delivery and notifies them of the arrival. A separate fee will be charged for this based on the carrier company's valid prices.

The buyer must inspect the product without delay after it has been delivered to the Buyer or, if the product is installed by Climecon, after it has been installed and before it is commissioned. This inspection should include the careful review of the product's features and functionality as well as comparing the product to the information in the docket.

The recipient is obligated to inspect the product for possible transport damage when receiving the product and to write this damage down in the waybill or to report them to the carrier company. If an error or deficiency occurs in the product or delivery during the inspection, the claim needs to be submitted to Climecon without delay and, at the latest, within seven (7) calendar days after receiving the product.

The delivery will be considered approved if the Buyer has not submitted any written claims about the product to Climecon within seven (7) calendar days after receiving the product.

The product's ownership rights will be transferred to the Buyer when the Buyer has paid the purchase price to Climecon in full. Before the ownership rights are transferred to the Buyer, Climecon is entitled to take control of the product if the Buyer has not fulfilled its contract obligations. Danger liability will be transferred to the Buyer in accordance with the agreed delivery term.

Returns must always be agreed with Climecon in advance and the notice of a return must be submitted within fourteen (14) days after receiving the product. For returns, Climecon reimburses 70% of storage products and 50% of manufactured standard products. Bespoke manufactured products will not be reimbursed.

Climecon reserves the right to make changes to its products, including ones that have been ordered.

Brochures, technical specifications and other written information in catalogues as well as verbal advice are only intended for guidance, and Climecon accepts no responsibility for possible errors occurring in them.

Prices and payment terms

The product price is the price shown in the price list valid at the time, unless the contract parties have agreed on another price in writing. Climecon will charge the products after delivery. The payment term is fourteen (14) days net after the invoice date, unless the contract parties have agreed on a different payment term in writing. The late payment interest is determined based on the Interest Act.

If the Buyer's payment is delayed by more than thirty (30) days after the due date, Climecon has the right to halt all its own performances without any liability penalties until the Buyer has fulfilled all its overdue payments to Climecon.

General warranty terms

Climecon grants a five (5) year operational warranty to the following products:

- Ventilation terminal devices and supply and exhaust air valves
- Hoods and AC ceilings of professional kitchens
- CCM control units
- Air purifier frames
- Ventilation canopies
- Ventilation gratings

A two (2) year warranty is granted to other Climecon products, starting from the product's delivery.

General delivery and warranty terms

As an exception to this, Climecon grants its UV lamps a warranty of up to sixteen thousand (16,000) hours of use. If a UV lamp becomes damaged before these hours are up, Climecon will reimburse the remaining hours of use in the acquisition costs of the new lamp. The warranty period will start when the UV system's installation and/or commissioning service has been performed and approved in writing, and it is applied when the system has been used in accordance with the manufacturer's instructions. The warranty period starts from the date the Buyer or the Buyer's representative has accepted the product or has had it installed, provided that the product has been paid in full.

During the warranty term, Climecon will repair, at its own cost, any faults and deficiencies caused by the product's design, manufacture and used material, if the Buyer has reported these faults to the customer service within seven (7) days after observing the fault. Climecon can also choose to replace the product with a new one. Climecon will rectify the observed fault within a reasonable amount of time.

Climecon is not liable for any damage that occurs after the danger liability has been transferred to the Buyer. Furthermore, Climecon is not liable for any faults that have occurred due to:

- a) natural wear, or
- b) the Buyer not following Climecon's instructions related to the product's use, maintenance or installation, or
- c) the Buyer having the product repaired, modified or serviced by a repair shop or service company other than Climecon's own or one appointed or authorised by Climecon, or
- d) the Buyer having repaired the product without Climecon's approval.

Climecon has no liabilities or obligations due to a product fault other than those described in this section. Under no condition is Climecon liable for personal injuries caused by the product's use, a product fault or a delayed delivery. Furthermore, Climecon is not liable for the Buyer's or a third party's property damage caused by the product.