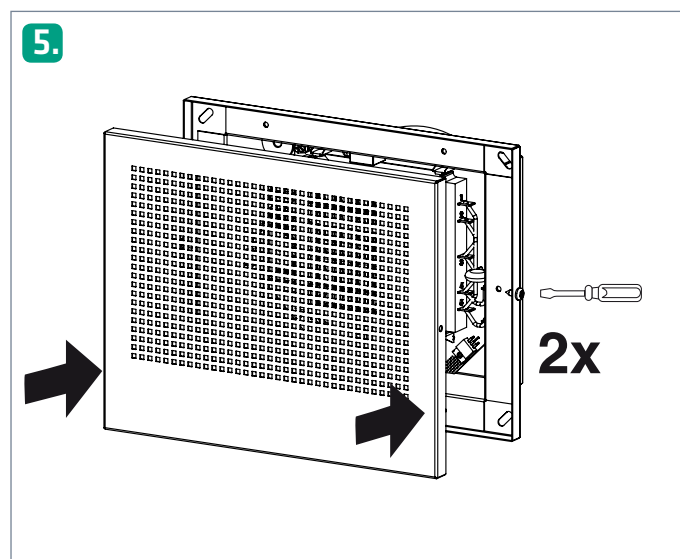
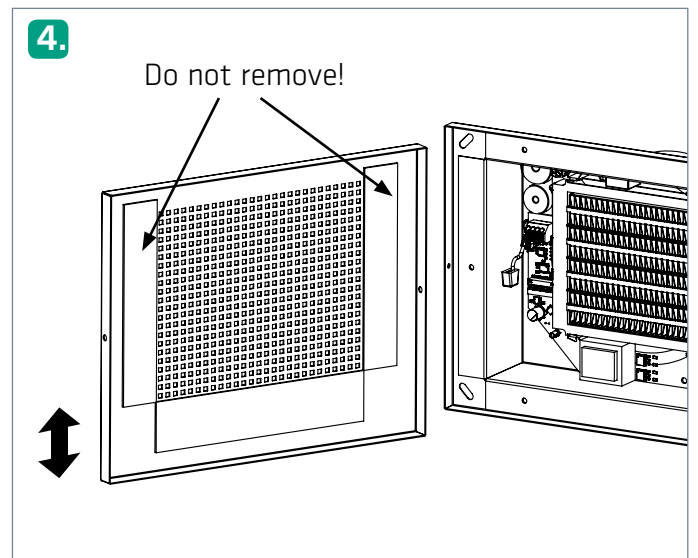
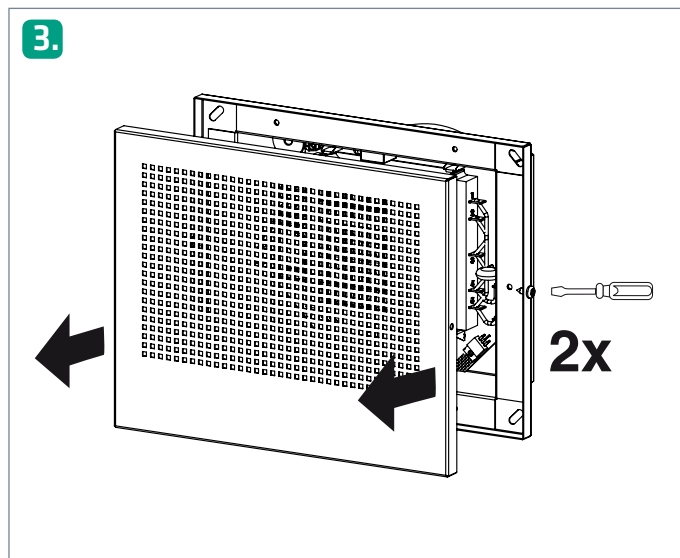
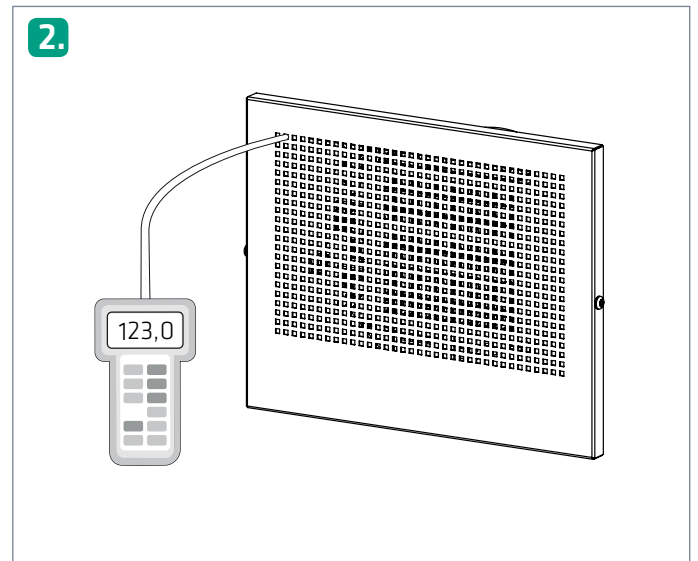
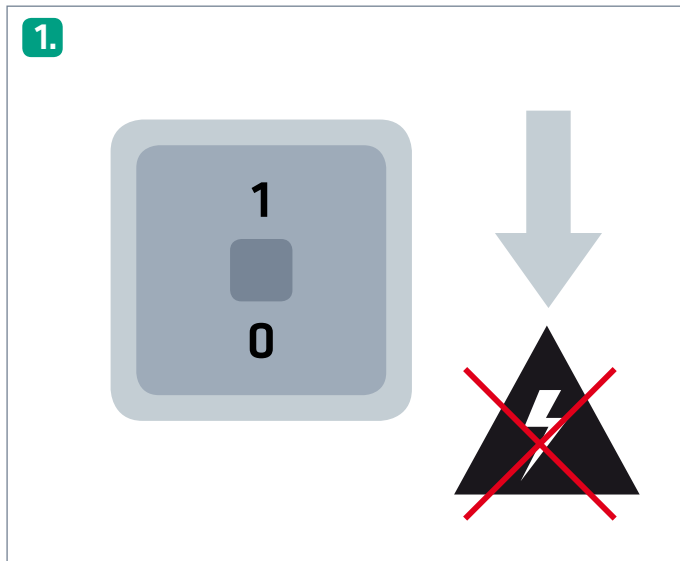


Adjustment manual ECO-F

NOTE! Electrical connections may only be made by a professional electrician.

Warning! The device carries a voltage of 230 V! Disconnect from the supply voltage before adjustment.



ECO-F		k
		125
		22*27
Suljettua riviä		6,4
Stängda rad	0	5,0
Closed rows	4	3,9
Rangées fermées	8	2,5
Geschlossene Reihen	12	1,5
	16	