

Supply air diffuser TINO-S

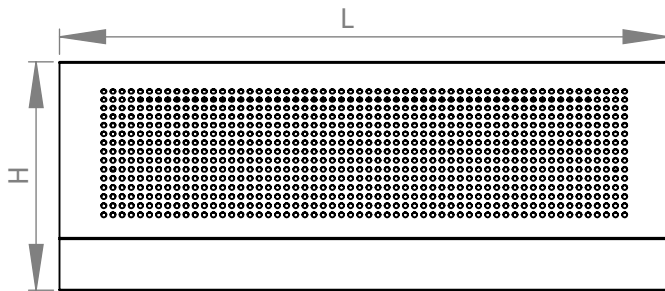
TINO-S Quick Guide

	Recommended max. airflow [l/s]						
	255	300	400	500	600	700	800
150	20	25	35	45	55	63	73
175	25	31	43	55	68	80	93
210	30	38	50	67	82	97	113
250	38	47	63	85	105	123	142

Total pressure with the given airflows is 25 Pa

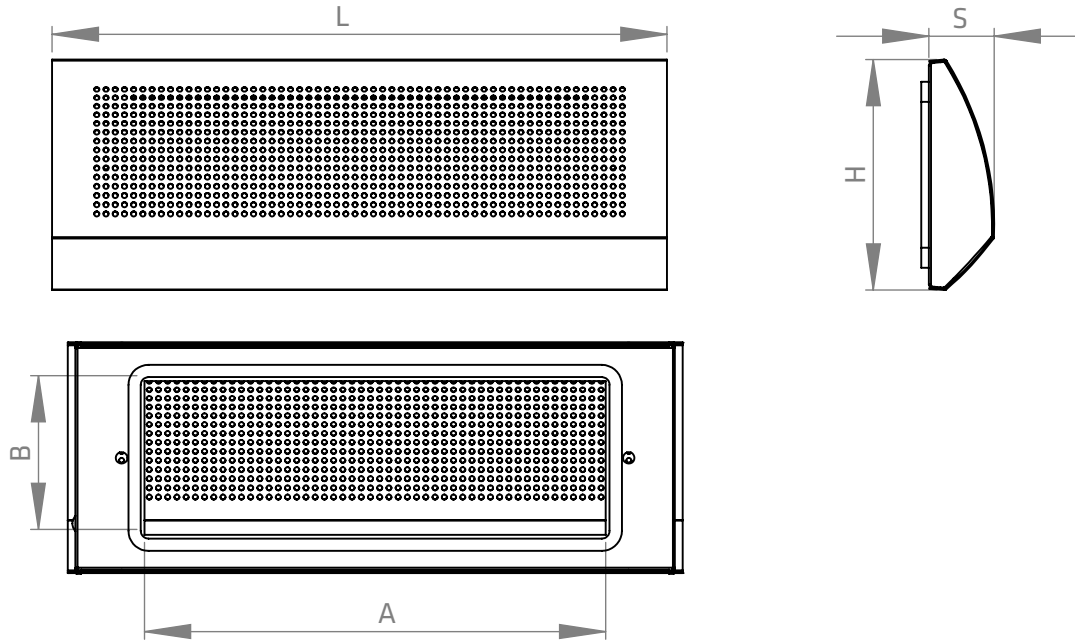
Sound level lower than 28 dB (LpA10)

Air velocity in the coupling hole shouldn't exceed the flow velocity 2 m/s..



Supply air diffuser TINO-S

TINO-S Dimension

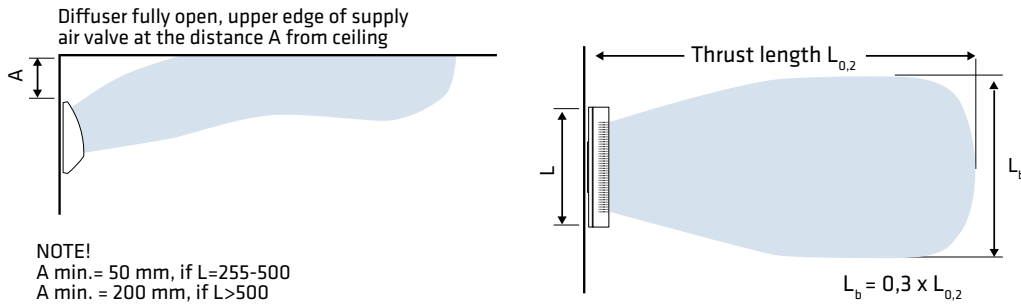


Duct connection at the back of the product

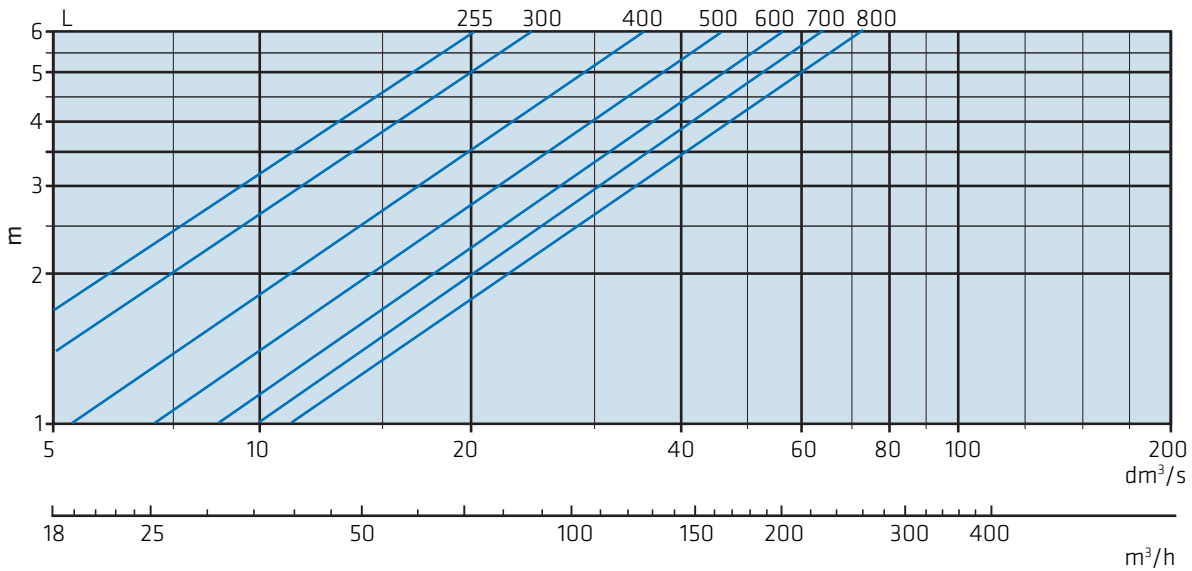
L [mm]	H [mm]	S [mm]	A [mm]	B [mm]
255	150	42	155	100
	175	50		125
	210	62		150
	250	77		200
300	150	42	200	100
	175	50		125
	210	62		150
	250	77		200
400	150	42	300	100
	175	50		125
	210	62		150
	250	77		200
500	150	42	400	100
	175	50		125
	210	62		150
	250	77		200
600	150	42	500	100
	175	50		125
	210	62		150
	250	77		200
700	150	42	600	100
	175	50		125
	210	62		150
	250	77		200
800	150	42	700	100
	175	50		125
	210	62		150
	250	77		200

Supply air diffuser TINO-S

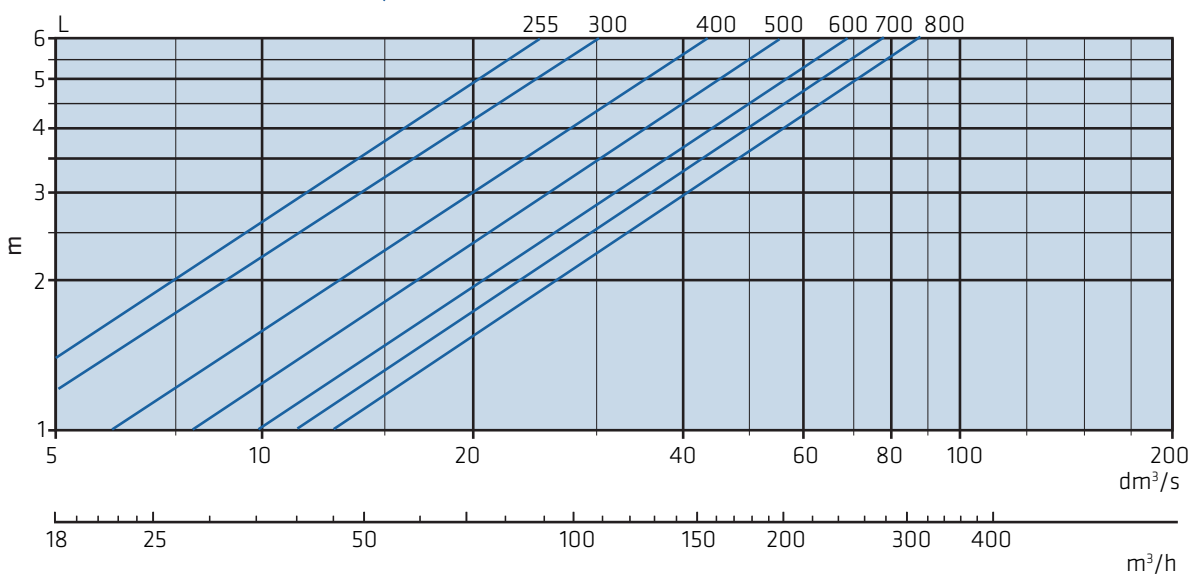
TINO-S Throw patterns



TINO-S Throw length ($L_{0,2m}$), height of the product 150 mm

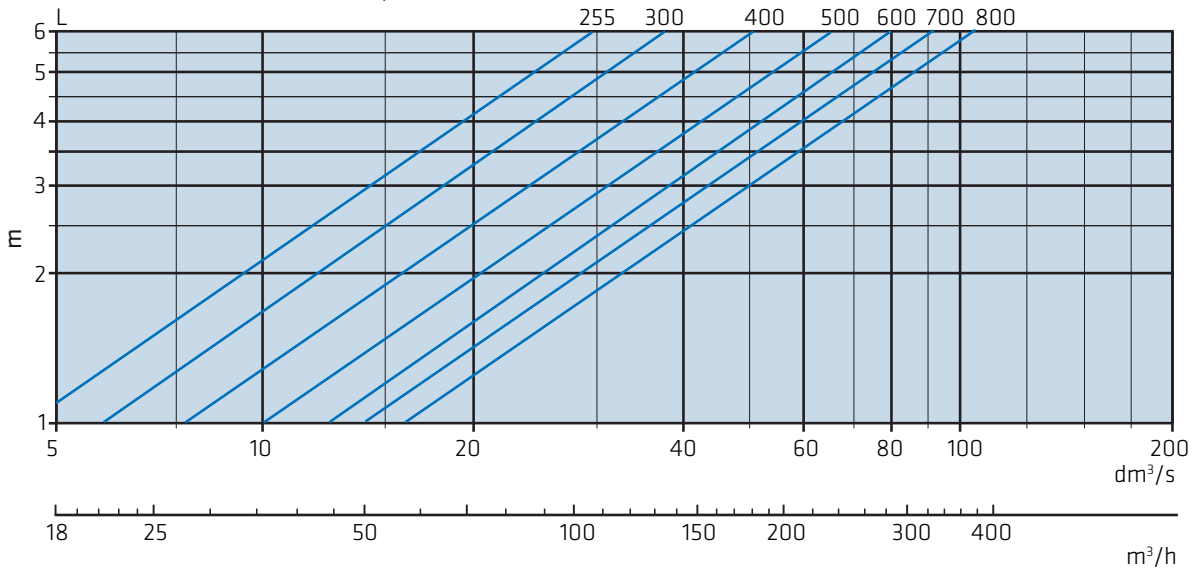


TINO-S Throw length ($L_{0,2m}$), height of the product 175 mm



Supply air diffuser TINO-S

TINO-S Throw length ($L_{0,2m}$), height of the product 210 mm



TINO-S Throw length ($L_{0,2m}$), height of the product 250 mm

