

Installation manual ECO-W

Components of the ECO-W air heater

1. Body, duct connection, heating element, electronics section and connections for supply voltage (230 V) and controller cabling.
2. Grille
3. Grille fastening screw (2 pcs)
4. Bottom fastening screw (for the wall, 2 pcs)

Installation of the ECO-W air heater

1. Drill the necessary holes in the wall for cables and fastening screws by using the stencil provided with the unit (see stencil in Appendix 1).
2. The minimum distance of the terminal device from the ceiling is 100 mm (see Figure 1.2). Install the terminal device at a minimum height of 1.8 m. Ensure that children cannot get their hands on the device.
3. Detach the grille (2) from the body. Remove the three fastening screws (3) and pull the grille off the body (1).
4. Insert the bottom section duct connector into the inlet air duct, and attach the body to the wall with screws (2 pcs, max \varnothing 5 mm).
5. Connect the supply cable (MMJ) through a double-pole switch, and the control unit's bus cable (KLMA) to the connectors in the electronics section of the terminal device, as shown in Figures 2.1–2.3.
6. Ensure that the connections are correct. Place the grille back onto the body and ensure that it is properly attached with the fastening screws.
7. Mark the power switch clearly.

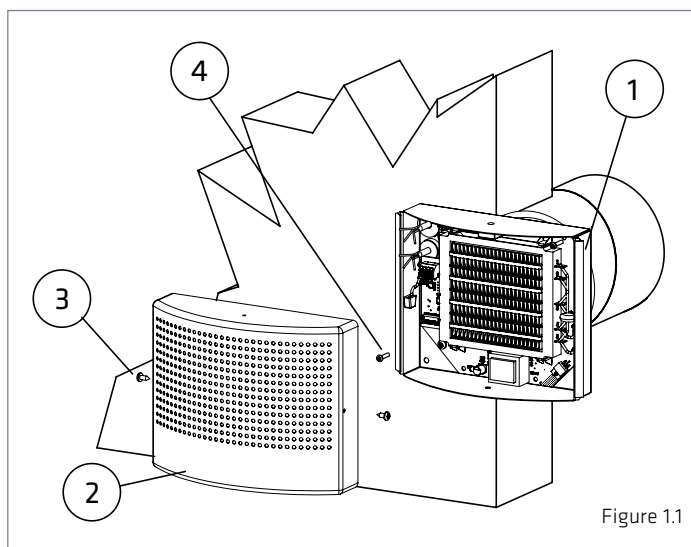


Figure 1.1

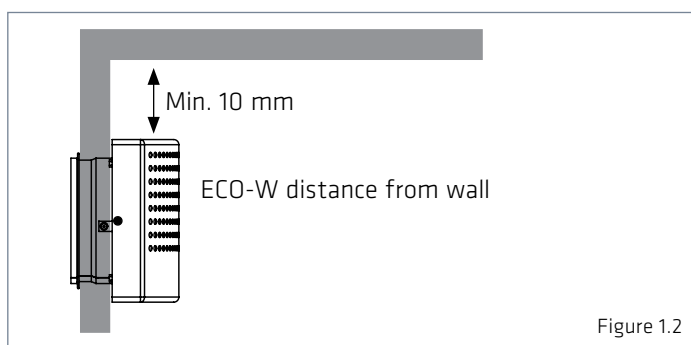


Figure 1.2

Installation manual ECO-W

Connection

1. NOTE! Lead the 230 V supply voltage to the device through a double-pole switch. Connect the supply voltage to connectors N and L in the electronics section of the terminal device, as shown in Figures 2.1-2.3.
2. Connect the ground to the terminal device's separate ground connector as shown in Figures 2.1-2.3.
3. Connect the ECO series terminal device to the controller with the Modbus cable as shown in Figures 2.1-2.3.
4. Connect the bus cables as shown in the figures.
5. Activate the termination resistor by moving the termination jumper to the ON position in the first and last device of the bus.



NOTE! Electrical connections may only be made by a professional electrician.

WARNING! The supply air device carries a voltage of 230 V.

U = 230V I_n = 1,7 A

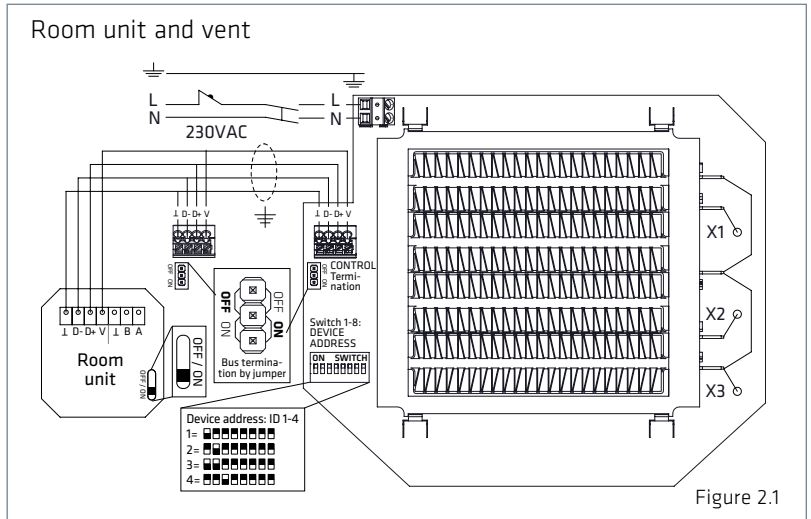


Figure 2.1

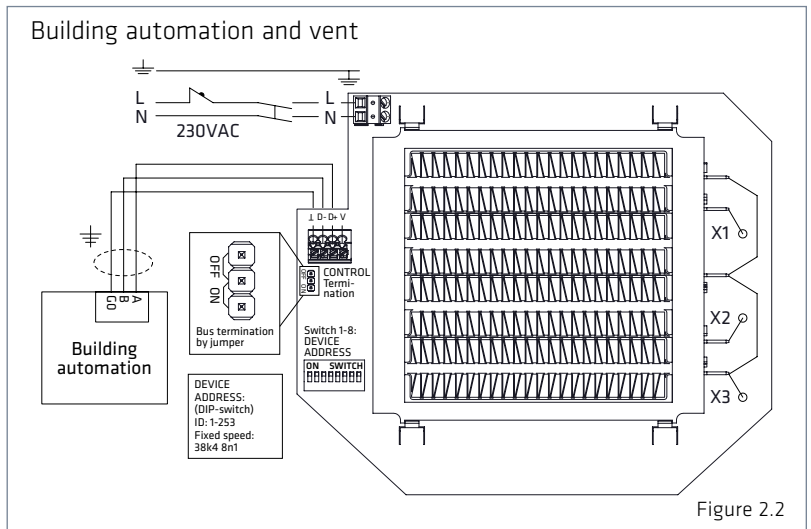


Figure 2.2

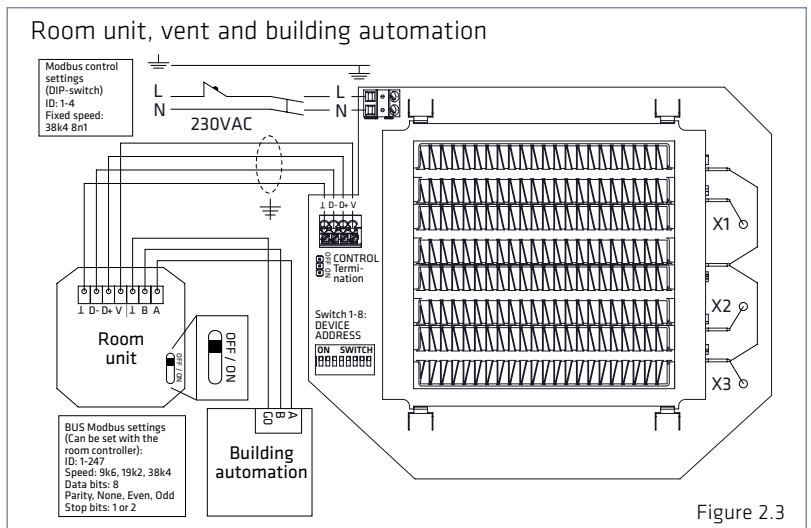


Figure 2.3

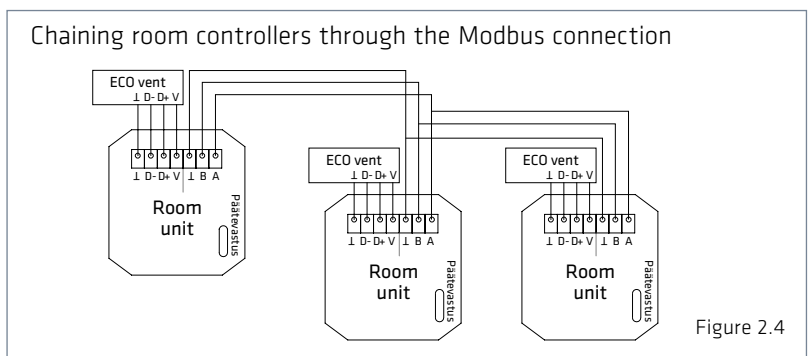


Figure 2.4

Installation manual ECOT, controller

Components of the ECO controller

1. Bottom
2. Cover plate
3. Locking piece
4. Touch screen

Controller installation:

1. Lead the controller cable (KLMA) from the terminal device to the junction box.
2. Detach the touch screen (1) from the locking piece (2).
3. Detach the locking piece from the bottom (4) with a small screwdriver, for example.
4. Fasten the bottom (4) to the junction box.
5. Install the cover plate (3).
6. Install the locking piece (2).
7. Connect the cables to the touch screen connectors as shown in Figures 2.1-2.3.
8. Push the touch screen (1) into the locking piece (2) until you hear a click.

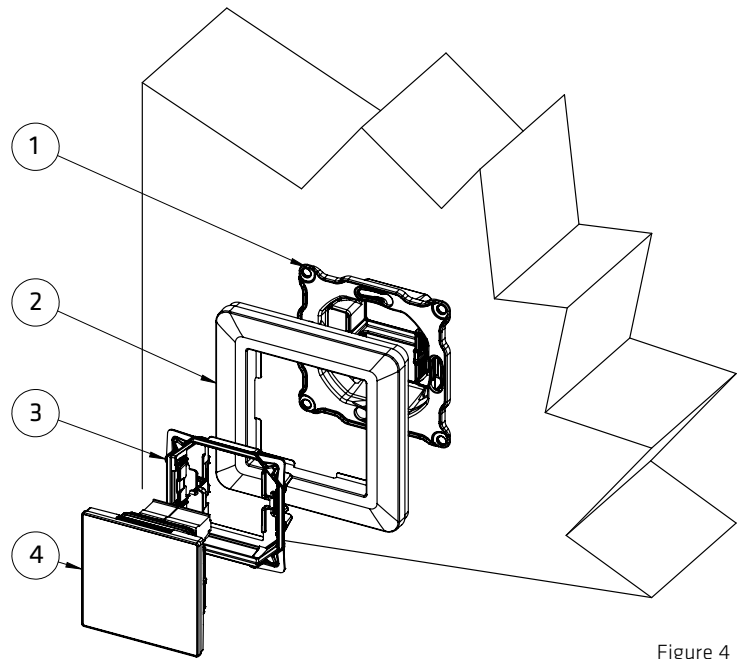
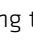
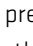
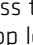


Figure 4

Basic start-up guide

1. Connect the supply voltage to the system, which activates the touch screen in the main view.
2. Enter the main menu by pressing the top left corner of the screen .
3. Set the language, date and time.
4. You can change the language by navigating to the Language section of the Display settings menu. Return to the previous view by pressing .
5. The date and time can be set in the Date & Time section.
6. To return to the main view, press the  icon with the three vertical lines in the top left corner.
7. The temperature can be adjusted with the plus and minus buttons.
8. More detailed instructions on the system functions are provided in a separate manual.

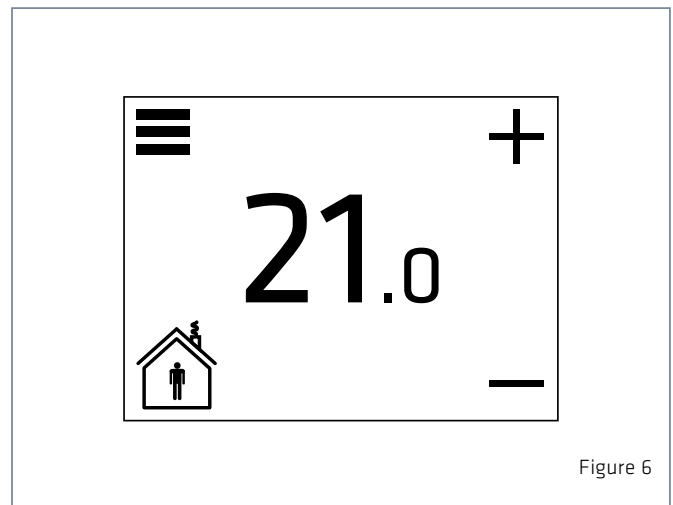
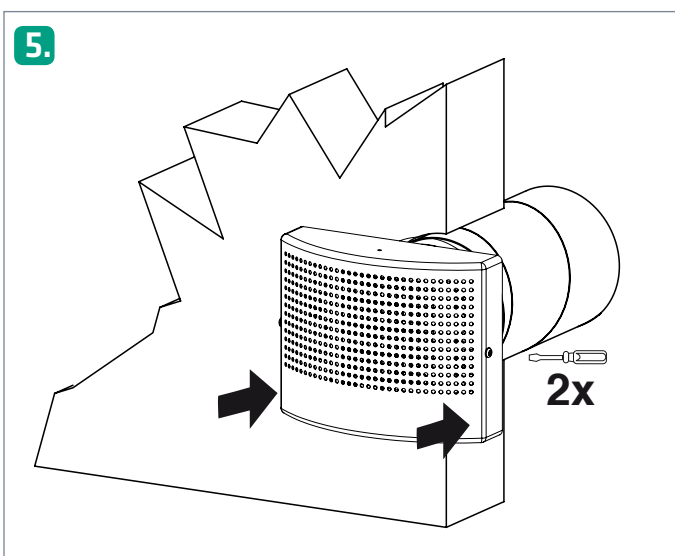
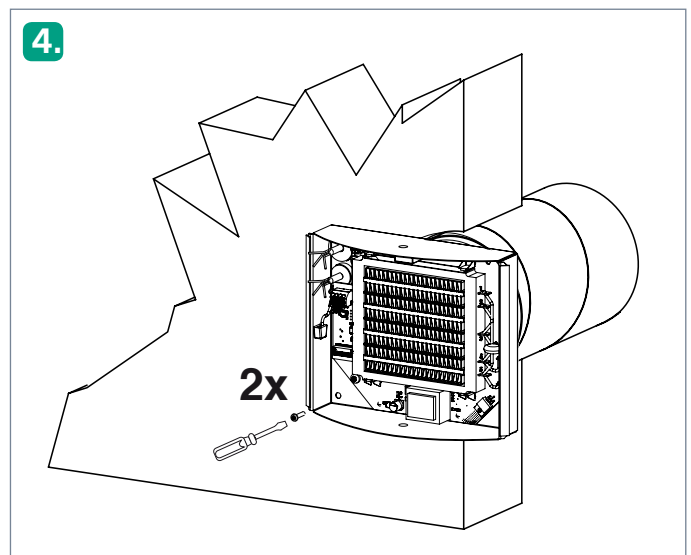
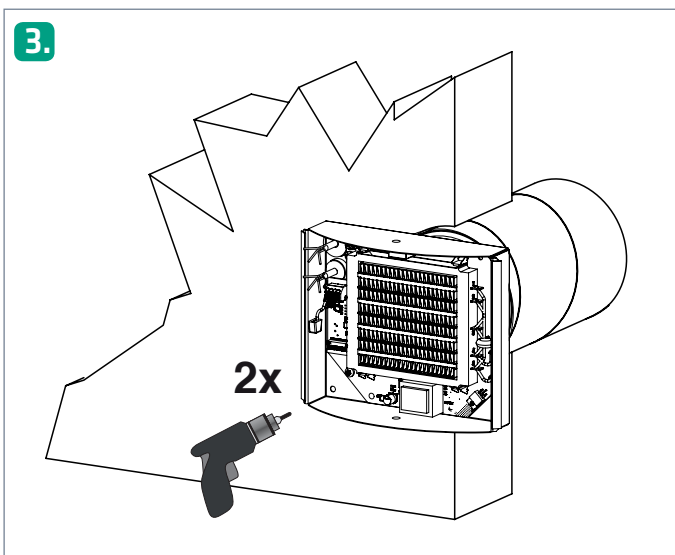
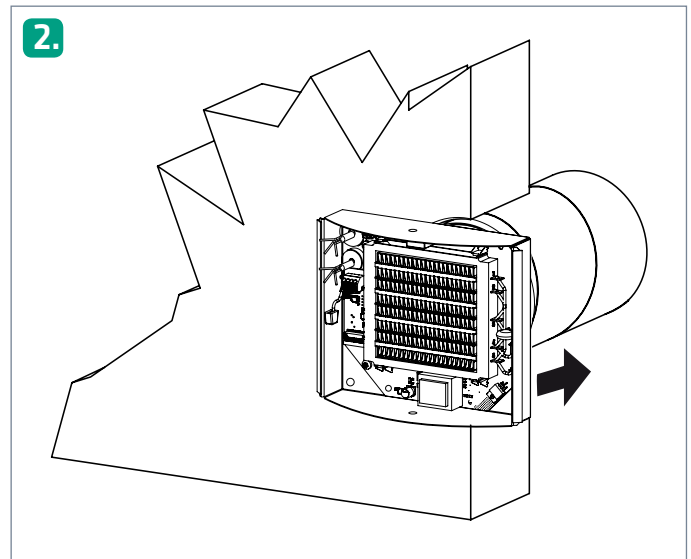
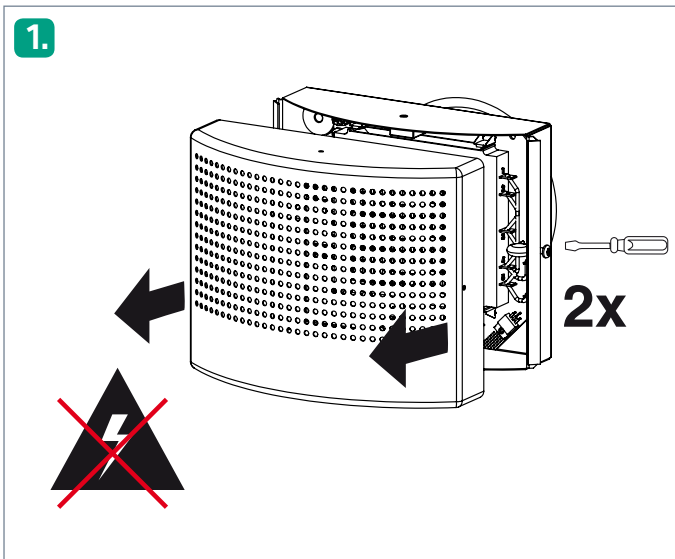


Figure 6

Installation manual ECO-W

NOTE! Electrical connections may only be made by a professional electrician. Disconnect from the supply voltage before maintenance.



Maintenance manual ECO-W

NOTE! Electrical connections may only be made by a professional electrician.

Warning! The device carries a voltage of 230 V! Disconnect from the supply voltage before maintenance.

